

HEZXSC LED Hazardous Exit & Emergency Combo



| | |
|----------------------------|---------------------|
| Project Information | |
| Project Name: _____ | Fixture Type: _____ |
| Complete Catalog #: _____ | Date: _____ |
| Comments: _____ | |

Specifications and Features:



HOUSING:

Housing is fiberglass reinforced polycarbonate construction in gray finish. Corrosion-resistant enclosure with one piece, high-impact resistant, UV stabilized polycarbonate lens and molded gasket with stainless steel screws. EZ snap-out Chevron directional indicators.

LISTING & RATINGS:

Meets UL924, UL844, NFPA101 Life Safety Code, NEC, OSHA, Local and State Codes. IP66 rated for Ingress protection. Rated for Class 1, Division 2, Groups A,B,C, & D. UL listed for wet locations (0°C – 50°C).

MOUNTING:

Die-cast mounting brackets provided for surface wall-mount installation. Pre-installed conduit hub for conduit and pendant-mount installation.

ILLUMINATION:

Two fully adjustable, ultra bright 3.3 watt high performance MR-16 base LED lamp heads for optimized center-to-center spacing. Long-life, energy efficient Red or Green LED EXIT sign illumination.

ELECTRICAL:

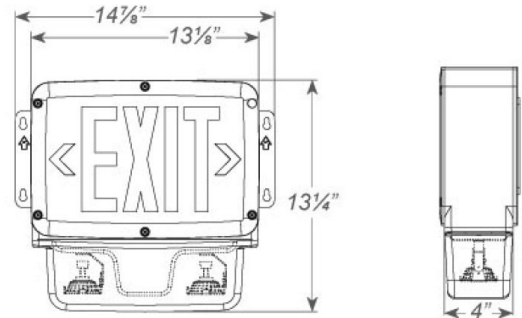
Dual 120/277 voltage. Unique bi-color LED indicator light alerts occupant on battery condition (Green-normal, Red-check-battery). Charge rate/power "ON" LED indicator light and magnetic test switch for mandated code compliance testing. 6V/12V maintenance-free, rechargeable NiCd battery (12W, 15W models). Offers 4.8W and 7.8W of remote capacity (6V/12V DC output) standard on the 12W and 15W models. Internal solid-state transfer switch automatically connects the internal battery to LED board and lamp heads for minimum 90-minute emergency illumination. Fully automatic solid-state, two-rate charger initiates battery charging to recharge a discharged battery in 24 hours.

WARRANTY:

Five year warranty on all electronics and housing. Batteries prorated for two (lead acid) / five (NiCd) years.



Dimensions



Complete Units Ordering Information
Example: **HEZXSC1R615B**

HEZXSC LED Hazardous Exit & Emergency Combo

| HEZXSC | | | | | G | |
|---|--|------------------|--------------------------|----------------------------|---------------|--|
| Model | No. of Faces | Letter Color | Voltage | Wattage | Housing Color | Options |
| HEZXSC=LED Hazardous Exit & Emergency Combo | 1=Single Face ¹ 2=Double Face ² | R=Red G=Green | 6=6 Volts 12=12 Volts | 12=12 Watts 15=15 Watts | G=Gray | SDT=Self-Diagnostics CW=Cold Weather ³ TP=Tamper Proof NH=No Heads |

NOTES: 1. Available only in 15W models. 2. Available only in 12W models.

| Electrical Information: | | | | |
|---------------------------------------|-----|----|-----------------|---------------|
| HEZXSC Series Model with Input Rating | Vac | Hz | Max Current (A) | Max Power (W) |
| HEZXSC – 6V Battery Version | 120 | 60 | 0.20 | 16 |
| | 277 | 60 | 0.07 | 19 |
| HEZXSC – 12V Battery Version | 120 | 60 | 0.14 | 16 |
| | 277 | 60 | 0.07 | 18 |

| Remote Lamp Compatibility | | | | | | |
|---------------------------|---------|-------------------------|-----------|---------|----------|-------|
| Model Number | Battery | Remote Capacity | RHLED-MV* | SRHLED* | RHLED16* | HEZRH |
| HEZXSC | 6V, 12V | 4.8W, 7.8W ¹ | X | X | X | X |

Reference remote lamp head specification sheets for complete catalog number ordering information.

*Not Class1 Division 2 rated. For use in non-hazardous locations only.
1.) 7.8w For Single Free Models Only.



Specifications subject to change without notice.