

BFV70 70 CFM Bath Vent (4" Duct")



Project Information	
Project Name:	Fixture Type:
Complete Catalog #:	Date:
Comments:	

SPECIFICATIONS AND FEATURES:

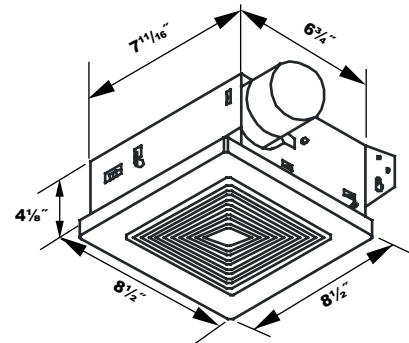
- **GALVANIZED HOUSING** Resists Humid Conditions & Changing Attic Temperatures, Unlike Plain Steel Housing Used in Many Vents.
- Housing has Ceiling/Wall Thickness Indicator Markings & Built-in Mounting Tabs for Quick Installation.
- Attractive Molded Grille with Spring Clips for Smooth Fit Against Ceiling or Wall.
- Dishwasher Safe Grille for Easy Homeowner Cleaning.
- Easy Remove & Install Motor Assembly with Keyhole Mounting Bracket.
- Permanently Lubricated Motor with Plug for Quick Activations.
- Built-in Junction Box for Easy Wiring.
- Molded Fan Blade - Precision Balanced for Quiet Operation.
- Molded Duct Adapter with Built-in Damper.
- **Listings & Ratings:** Units & Service Parts are ETL Listed
- **Airflow:** 70 CFM
- **Duct:** 4"
- **Sound:** 60dB
- **Finish:** White
- **Quantity/Master Carton:** 1
- **Master Carton Cubic Feet:** .26

COLORS: WHITE MOLDED GRILLE. DESIGNER COLOR GRILLES AVAILABLE:

- =Bronze (BZ); ■ =Oil Rubbed Bronze (ORB); ■ =Renaissance Gold (RG);
- =Venetian Silver (VS); ■ =Satin Nickel (SN)



Dimensions



ACCESSORIES & REPLACEMENT PARTS:

Accessories (Order Separately, Field Installed)

BFVSGR*	Designer Grille for BFV70, Includes Two (2) Spring Clips (Not Dishwasher Safe)
BFVA3	3" Duct Adapter
BFVA4	4" Duct Adapter

*Specify Color: BZ=Bronze, ORB=Oil Rubbed Bronze, RG=Renaissance Gold, VS=Venetian Silver, SN=Satin Nickel



BFVSGRBZ



BFVSGROBB



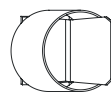
BFVSGRRG



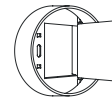
BFVSGRVS



BFVSGRSN



BFVA3



BFVA4



Specifications subject to change without notice.