



FEATURES & APPLICATIONS

Features:

- Sleek, Modern Design
- Die Cast Aluminum Housing & Grid Frame
- Surface Mount
- White Powder Coat Steel Pan Reflector
- LumaLens Polycarbonate Opal Lens
- Textured Architectural Powder Coat Finish Over a Chromate Conversion Coating
- CSA: Listed for Wet Location, Wall Mount Only
- Choose White or Bronze Color; Custom Colors Available
- Energy Saving Lamp Included

Applications:

- Modern Architecture
- Office Buildings
- Condominiums
- Homes
- Schools
- Shopping Malls
- Hotels

Hi-Quality Designer Fixture

Energy Saving PL Lamps

Accessories Sold Separately

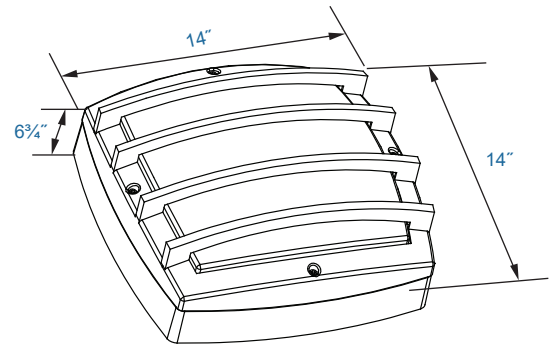
Dart Square Bulkhead - Grid Frame



SBWPGF



DIMENSIONS



SBWPGF

ORDER INFORMATION

Typical Ordering Number:

D-84w-CFL-SBWPGF-120-277-PC



1. Wattage/Lamp

- Compact Fluorescent:
- D-52w-CFL (2x26w)
- D-64w-CFL (2x32w)
- D-84w-CFL (2x42w)

2. Fixture Type

- Dart Square Bulkhead
- Grid Frame:
- SBWPGF

3. Voltage

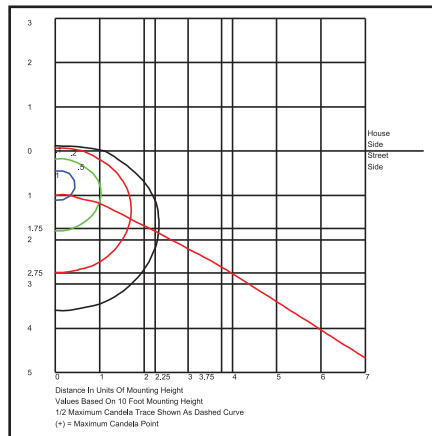
120-277v: 120-277



Dart Square Bulkhead - Grid Frame

ACCESSORIES

PHOTOMETRICS



D-84w-CFL-SBWPGF

Specifications subject to change without notice.