

# P17117 Internally Mounted Microwave Motion Sensor



## Sensors & Accessories Series

The P17117 Microwave active motion detector with a 5.8GHz HF system provides a wide range of occupancy control for ceiling, wall and pole mounted luminaires. Motion can be detected through plastic, glass and thin non-metallic materials. The sensors provide energy savings when used in combination with 1-10V dimmable LED drivers and can be programmed for up to 3-step dimming/switching functions. The sensor offers selectable range settings for heights up to 45 feet.

### Features

- Automatic switching or dimming when used in combination with 1-10V dimmable LED drivers.
- Motion ON – Vacant OFF; Vacant – DIM then OFF; or Vacant DIM never OFF.
- Multiple vacancy and time delay settings available.
- Built-in daylight sensor that limits motion ON command when selected ambient light level is exceeded.
- Factory-Installed OPTION available in a wide variety of luminaires.
- Multiple Detection Area settings up to 45 feet mounting height and up to 50 feet in diameter.



### Typical Applications

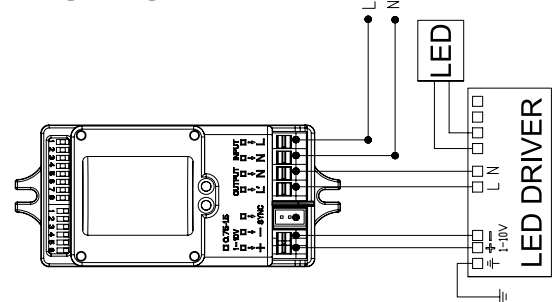


Sensor Mounts Behind Lens in VN55Q.

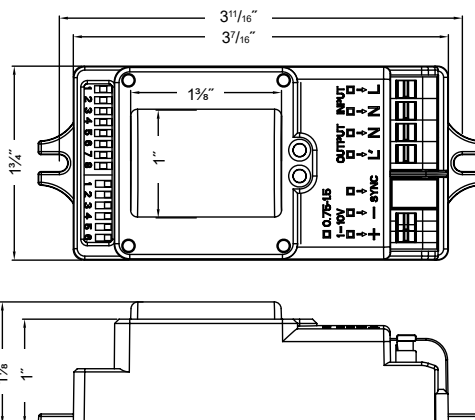
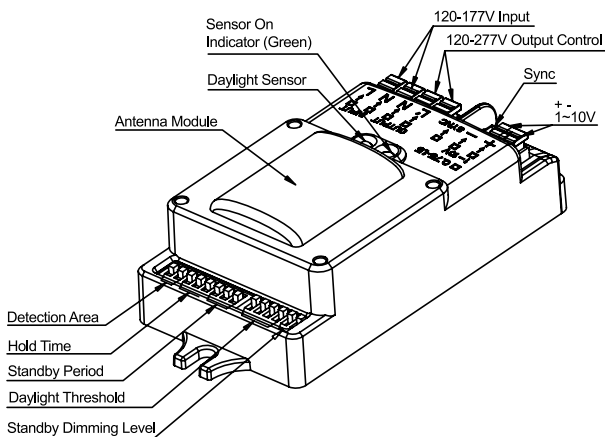
### Electrical Specifications

<b>OPERATING VOLTAGE</b>	120~277Vac, 50Hz/60Hz
<b>RATED CAPACITIVE LOAD</b>	120V@400W; 220-240V@800W; 277V@1000W
<b>HF SYSTEM</b>	5.8GHz ± 75MHz, ISM wave band
<b>TRANSMITTING POWER</b>	<0.5mW
<b>POWER CONSUMPTION</b>	≤0.5W(Standby), <1W(Operation)
<b>DETECTION ZONE</b>	Max.(D x H): 50ft x 45ft
<b>DETECTION SENSITIVITY</b>	10% / 50% / 75% / 100%
<b>HOLD TIME</b>	5s / 30s / 90s / 3min / 20min / 30min
<b>DAYLIGHT SENSOR</b>	2lux/5lux / 10lux / 25lux /50lux / 100lux / Disable
<b>STAND-BY PERIOD</b>	0s /5s / 5min / 10min / 30min / 1h / +∞
<b>STAND-BY DIMMING LEVEL</b>	10% / 20% / 30% / 50%
<b>MOUNTING HEIGHT</b>	45 feet Max.
<b>MOTION DETECTION</b>	2-10 feet/s
<b>DETECTION ANGLE</b>	150°(Vertical), 360°(Horizontal)
<b>OPERATING TEMPERATURE</b>	-35°C~70°C
<b>IP RATING</b>	IP20

### Wiring Diagram:



### Features and Dimensions



Specifications subject to change without notice.

# P17117 Internally Mounted Microwave Motion Sensor



## Programming Settings

ON ↑   ↓		1	2	
	I	ON	ON	100%
	II	ON	-	75%
	III	-	ON	50%
	IV	-	-	10%

### DETECTION AREA

Detection area can be adjusted by selecting the combination on the DIP switches to fit coverage for each application

ON ↑   ↓		3	4	5	
	I	ON	ON	ON	5s
	II	-	ON	ON	30s
	III	ON	-	ON	90s
	IV	-	-	ON	3min
	V	ON	ON	-	20min
	VI	-	-	30min	

### HOLD TIME

Refers to the time period the luminaire remains at 100% illumination after vacancy (no motion detected).

ON ↑   ↓		6	7	8	
	I	ON	ON	ON	0s
	II	-	ON	ON	5s
	III	ON	-	ON	5min
	IV	-	-	ON	10min
	V	ON	ON	-	30min
	VI	-	ON	-	1h
	VII	-	-	+∞	

### STAND-BY PERIOD

Refers to the time period the luminaire remains at a low light level before it completely switches off if no motion is detected (Vacant – DIM to OFF mode). When set to “+∞” mode, the low light is maintained until motion is detected. (Vacant – Never OFF mode).

ON ↑   ↓		1	2	3	4	
	I	-	-	ON	ON	2Lux
	II	-	-	-	ON	5Lux
	III	-	ON	ON	-	10Lux
	IV	-	-	ON	-	25Lux
	V	-	ON	-	-	50Lux
	VI	ON	-	-	-	100Lux
	VII	-	-	-	Disable	

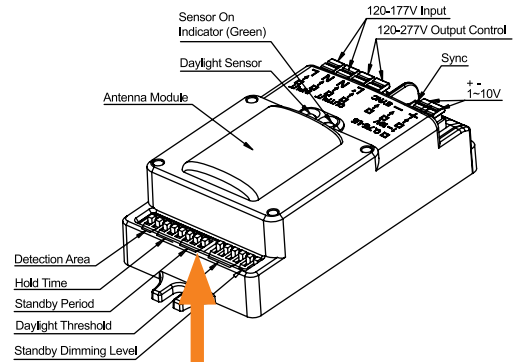
### DAYLIGHT SENSOR – BLOCKS MOTION ON COMMAND WHEN LIGHT IS PRESENT

The sensor can be set to only allow the luminaire to execute a Motion ON Command below a defined ambient brightness threshold. When set to disable mode, the motion sensor will execute ON Command when motion is detected regardless of ambient light level. SETTINGS: 50lux, 30lux: twilight operation, 10lux, 5lux: darkness operation only. Note that daylight sensor is NOT an ON-OFF device.

ON ↑   ↓		5	6	
	I	ON	ON	50%
	II	-	ON	30%
	III	ON	-	20%
	IV	-	-	10%

### STAND-BY DIMMING LEVEL

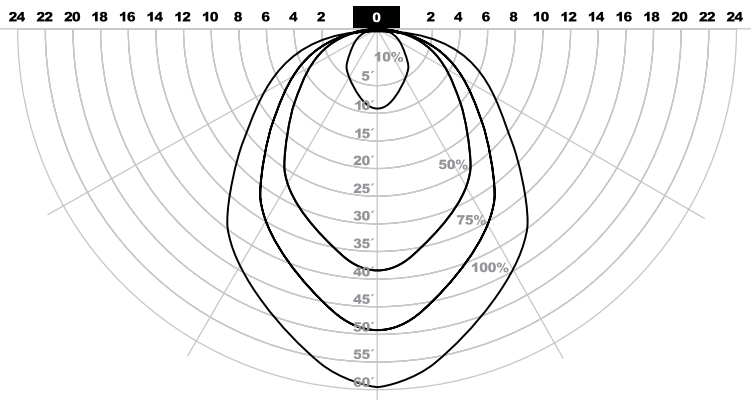
The low light level selection available for the stand-by period. Available settings are 50%, 30%, 20% and 10%.



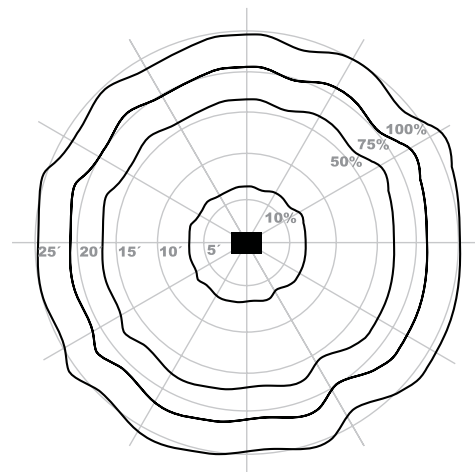
**PROGRAMMING DIP SWITCHES**

## Detection Diagrams

### Vertical Cross-Section



### Horizontal Distribution



Specifications subject to change without notice.

# P17117 Internally Mounted Microwave Motion Sensor



## Factory-Installed P17117 Sensor Ordering Information

All fixtures that can accept the P17117 have it listed in the Options column in the fixture's specification sheet ordering matrix:

**S2:** Internal factory-installed sensor

**S23:** Factory-installed sensor using the ACCHSG3 housing shown below

Rev. 02/13/20

### VN55Q DuraLED Garage Lighter

**Project Information**

Project Name: \_\_\_\_\_ Fixture Type: \_\_\_\_\_

Complete Catalog #: \_\_\_\_\_ Date: \_\_\_\_\_

Comments: \_\_\_\_\_

100% AMERICAN  
NOT CHINESE

The DuraGuard VN55Q garage lighter with optional integral sensor is available in three wattages with an optical distribution designed to replace HID lighting systems up to 175w MH or KPS. Typical parking garage applications include retail centers, industrial parks, schools and universities, public transit and airports, office buildings and medical facilities. Mounting heights of 8 to 16 feet can be used based on light level and uniformity requirements.

**SPECIFICATIONS AND FEATURES:**

**HOUSING:** Low Profile, Die Cast Aluminum Housing, 1/2" Girth Plug-in or Ring for Conduit or External Sensor. Built-in Sensor Housing with Cover Matched UV-Stabilized Polycarbonate Cover. A Clear Cover will be Provided (Where a Sensor is Ordered).

**LISTING & RATINGS:** CSA Listed for Wet Locations, ANSI/UL1598, ETL (Change Locations When Used with DALI) IP65 Sealed LED Compartment.

**FINISH:** Select Architectural Bronze or White Powdercoat Finish Over a Chromate Conversion Coating. Custom Colors Available Upon Request.

**LENS:** Molded UV-Stabilized Acrylic Optical Lens Designed for Garage Lighting Applications.

**MOUNTING OPTIONS:** Included Easy-Hang Bracket Fits Standard 4" Electrical Box. Alternative One-Person Installation, Optional Quick-Mount/Pendant Bracket Available.

**DURALED LED:** Aluminum Beads

**WATTAGE:** 30w Array, 30w System: 34-4ft; 37w Array, 37w System: 42-5ft; 48w Array, 48w System: 52w; 66w Array, 66w System: 74-8ft. (250w HID Equivalent)

**DRIVER:** Electronic Driver, 120-277V, 50/60Hz, 347V, 50/60Hz (0 & 37w Model Only) or 347-480V, 50/60Hz (30 & 37w Model Only) LED's: True 20% THD and PF>0.95, Standard Internal Surge Protection (5kV, 0-10V Dimming Standard for a Dimming Range of 100% to 10%, Dimming Source Current is 150 Microamps.

**CONTROLS:** Factory-Ordered with Factory-Installed Photocell or Motion Sensor Controls are Internally Wired for Switching and/or 1-10V Dimming Within the Housing. Remote Direct Wired Interface of 1-10V Dimming is Not Included and May Not Be Available. Please Contact Factory. Fixtures are Tested with DuraGuard Controls and May Not Function Properly With Controls Supplied By Others. Fixtures are NOT Designed for Use with Line Voltage Dimmers.

**WARRANTY:** 5-Year Warranty for -40°C to +50°C Environment. See Page 2 for Projected Lumen Maintenance Table.

**Dimensions**

Width (D)	1 1/2" (38mm)
Length (B)	2 1/2" (63mm)
Height 1 (A)	2 1/2" (63mm)
Height 2 (C)	1 1/2" (38mm)

DuraLED TECHNOLOGY

VN55Q DuraLED Garage Lighter

VN55Q	F	Wattage	Driver	CCT	Color	Options
Model	Optics					
VN55Q-30w-30w	1" Type I/C	30w	120-277V	4000K	White	
VN55Q-37w-37w	1" Type I/C	37w	120-277V	4000K	White	
VN55Q-48w-48w	1" Type I/C	48w	120-277V	4000K	White	
VN55Q-66w-66w	1" Type I/C	66w	120-277V	4000K	White	
VN55Q-30w-30w	1" Type I/C	30w	120-277V	4000K	White	
VN55Q-37w-37w	1" Type I/C	37w	120-277V	4000K	White	
VN55Q-48w-48w	1" Type I/C	48w	120-277V	4000K	White	
VN55Q-66w-66w	1" Type I/C	66w	120-277V	4000K	White	

**SF**-Single Face (120-277V Only)  
**DF**-Double Face (120-277V Only)  
**SP**-Single Protection  
**DP**-Double Protection  
**PC**-Photocell  
**MO**-Motion  
**PL**-Plug-In  
**PM**-Pendant Mount  
**SM**-Sensor with Dimming for Mounting Heights of 8 to 40' (120-277V Only)  
**SMH**-Sensor with Dimming for Mounting Heights of 8 to 10' (120-277V Only)  
**SM**-Quick Mount/Pendant Mount  
**SM**-Battery Backed, 90 Minutes

Complete Units  
Ordering Information  
Example: VN55QF1X48L9J2P3P

12802 Commodity Place • Tampa, FL 33626 • www.duraguard.com • Toll Free: (800) 736-7991 • Fax: (800) 287-4175

Specifications subject to change without notice.

## Mounting Accessories

### ACCHSG2

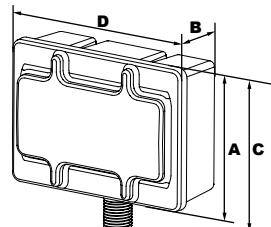
Die Cast Sensor Box with 1/2" offset stem and polycarbonate cover. Use to mount sensor to fixtures with 1/2" threaded aperture, or remote mount using 1/2" threaded conduit. See ACCHSG2 Specification Sheet for complete details and ordering information.



**With Clear Cover  
(Photocell/Motion Operation)**



**With Bronze Cover  
(Motion Only Operation)**



#### Dimensions

<b>Width (D)</b>	5 1/2" (144mm)
<b>Depth (B)</b>	2 1/2" (67mm)
<b>Height 1 (A)</b>	4" (104mm)
<b>Height 2 (C)</b>	5" (134mm)

### ACCHSG3

Bronze UV-Stabilized Polycarbonate Housing for installation of sensors. Includes sensor bracket and gasket. Automatically included when the S23 Sensor option is listed in the Options column of the fixture order matrix.



**Shown mounted  
to KH45Q**