



Orion Wallpack



ORION



FEATURES & APPLICATIONS

Features:

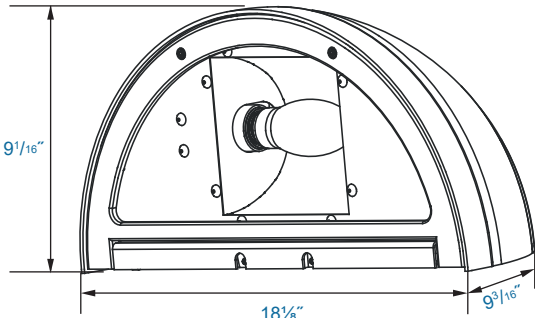
- Die Cast Aluminum Housing with Full Cutoff Front Frame.
- Textured Architectural Powder Coat Finish Over a Chromate Conversion Coating
- Choice of Wide Angle or Forward Throw Aluminum Reflector
- Tempered Clear Flat Glass Lens
- Mount over a 4" Recessed Outlet Box, includes Easy-Hang Wall Mounting Plate
- Meets Dark Sky Requirements
- CSA Listed for Wet Locations
- Custom Colors Available
- Lamp Included

Applications:

- When Dark Sky Considerations Are a Must
- Light Washes Wall & Lights Area Below Fixture
- When Light Trespass is a Primary Consideration

Accessories Sold Separately

DIMENSIONS



ORION

ORDER INFORMATION

Typical Ordering Number:
D-150w-PSMH-ORION-MT-WF



1. Wattage/Lamp

- Compact Fluorescent:**
 D-26w-CFL D-52w-CFL (2x26w)
 D-32w-CFL D-64w-CFL (2x32w)
 D-42w-CFL D-84w-CFL (2x42w)

- Pulse Start Metal Halide:**
 D-50w-PSMH D-150w-PSMH
 D-70w-PSMH
 D-100w-PSMH

- High Pressure Sodium:**
 D-35w-HPS D-100w-HPS
 D-50w-HPS D-150w-HPS
 D-70w-HPS

2. Fixture Type

Orion Wallpack:
ORION

3. Voltage

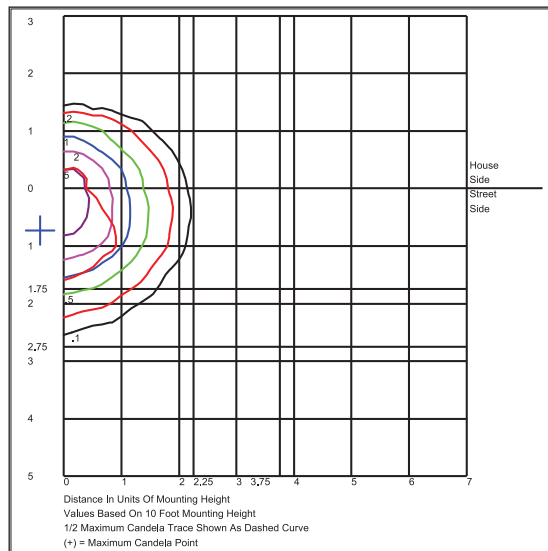
Multi-tap: **MT**
 120v: **120**
 120/277v: **120/277**
 120-277v: **120-277**

4. Options

Wide Angle Aluminum Reflector: **WF**
 Forward Throw Aluminum Reflector: **FF**

ACCESSORIES

PHOTOMETRICS



D-42w-CFL-ORION-FF

Specifications subject to change without notice.