



FEATURES & APPLICATIONS

Features:

Housing Manufactured From Heavy Duty Die-cast Aluminum with a Powder Coated Dark Bronze Finish, Hinged Door Frame and Chromate Conversion Coating for Durability

Weatherproof Silicone Gasket Present For Moisture and Dust Proof Protection

Fixture Includes an Anodized Aluminum Reflector and High Impact Heat Resistant Borosilicate Glass for Optimal Light Distribution

Housing Comes with Threaded 1/2" Apertures for Securing Conduit and/or Photo Cell Installation

Fixture Wall Mounts Directly Over 4" Outlet Box

Polyester Powder Coat Finish

Borosilicate Glass Lens

CSA Listed for Wet Locations

Custom Colors Available

Lamp Included

Applications:

- Warehouse Facilities
- Shipping and Receiving Areas
- Cold Storage Facilities
- Industrial Plants
- Commercial Buildings

Accessories Sold Separately

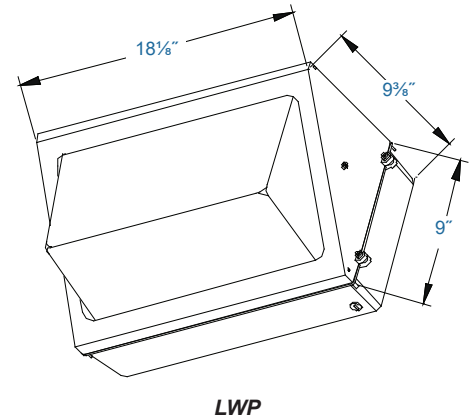
Large Wallpack



LWP



DIMENSIONS



ORDER INFORMATION

Typical Ordering Number:
D-250w-PSMH-LWP-MT-WG



1. Wattage/Lamp

Compact Fluorescent:

- D-26w-CFL D-52w-CFL (2x26w)
- D-32w-CFL D-64w-CFL (2x32w)
- D-42w-CFL D-84w-CFL (2x42w)

Pulse Start Metal Halide:

- D-100w-PSMH
- D-150w-PSMH
- D-250w-PSMH

High Pressure Sodium:

- D-100w-HPS
- D-150w-HPS
- D-250w-HPS

2. Fixture Type

Large Wallpack:
LWP

3. Voltage

Multi-tap: MT
120-277v: 120-277

4. Options

- Photocell: PC (Designate Voltage)
- In-Line Fuse: F (Designate Voltage)
- Wireguard: WG
- Vandal Shield: VS
- Glare Shield - Full Cutoff: FCS
- Glass Lens: GL
- Emergency Ballast: EM (CFL ONLY)

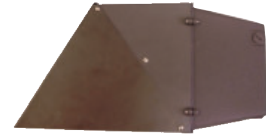
ACCESSORIES



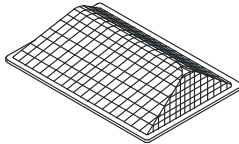
**Wire Guard
(LDWPGW)**



**Vandal Shield
(LDWPVS)**



**Full Cutoff
(LDWPGS)**

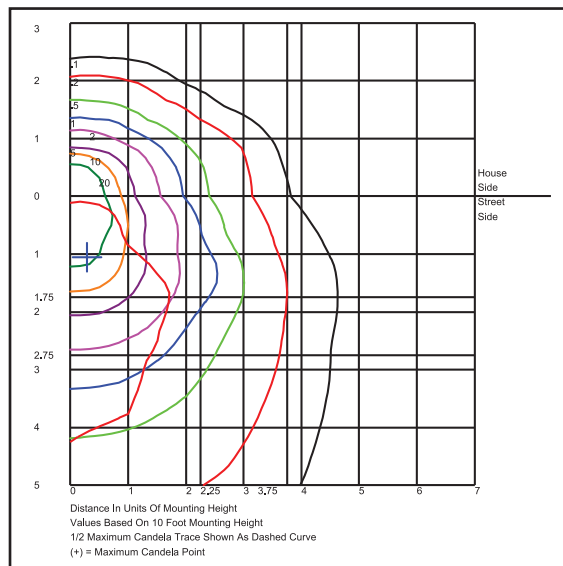


**Glass Lens
(LDWPGL)**



**Emergency Ballast
(EM)**

PHOTOMETRICS



D-250w-HPS-LWP

Specifications subject to change without notice.