



FEATURES & APPLICATIONS

Features:

- Die Cast Aluminum Housing & Hinged Front Frame, 1/2" Coin Plugs with O-rings for Conduit & Photocell
- Textured Architectural Powder Coat Finish Over a Chromate Conversion Coating
- Aluminum Reflector
- Tempered Clear Flat Glass Lens
- Cast-in Template for Mounting over a 4" Recessed Outlet Box, or use 1/2" Surface Conduit
- CSA Listed for Wet Locations
- Custom Colors Available
- Lamp Included

Applications:

- Warehouse Facilities
- Shipping and Receiving Areas
- Industrial Plants
- Commercial Buildings

Accessories Sold Separately

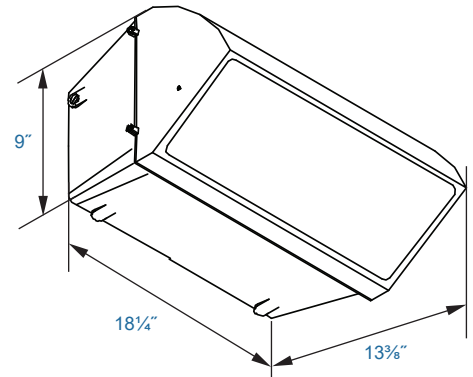
Large Deep Semi-Cutoff Wallpack



LDSCOWP



DIMENSIONS



LDSCOWP

ORDER INFORMATION

Typical Ordering Number:

D-400w-PSMH-LDSCOWP-MT-PC



1. Wattage/Lamp

Pulse Start Metal Halide:

- D-100w-PSMH
- D-150w-PSMH
- D-250w-PSMH
- D-320w-PSMH
- D-350w-PSMH
- D-400w-PSMH

High Pressure Sodium:

- D-100w-HPS
- D-150w-HPS
- D-250w-HPS
- D-400w-HPS

2. Fixture Type

Large Deep Semi-Cutoff Wallpack:
LDSCOWP

3. Voltage

Multi-tap: MT

4. Options

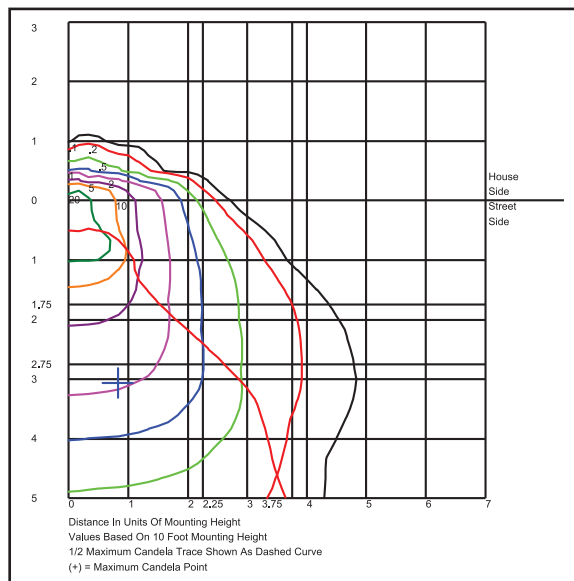
Photocell: PC
(Designate Voltage)



**Large Deep
Semi-Cutoff Wallpack**

ACCESSORIES

PHOTOMETRICS



D-400w-PSMH-LDSCOWP

Specifications subject to change without notice.