



**Dart Round Bulkhead -
Half-Cutoff**



FBWPHC



FEATURES & APPLICATIONS

Features:

- Sleek, Modern Design
- Die Cast Aluminum Housing & Half-Cutoff Frame
- Surface Mount
- White Powder Coat Steel Pan Reflector
- LumaLens Polycarbonate Opal Lens
- Textured Architectural Powder Coat Finish Over a Chromate Conversion Coating
- CSA: Listed for Wet Locations, Wall Mount Only
- Choose White or Bronze Color; Custom Colors Available
- Energy Saving Lamp Included

Applications:

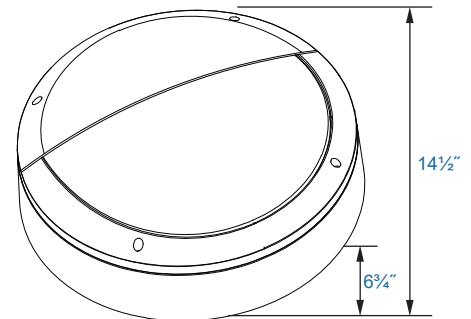
- Modern Architecture
- Office Buildings
- Condominiums
- Homes
- Schools
- Shopping Malls
- Hotels

**Hi-Quality
Designer
Fixture**

**Energy
Saving
PL Lamps**

Accessories Sold Separately

DIMENSIONS



FBWPHC

ORDER INFORMATION

Typical Ordering Number:

D-84w-CFL-FBWPHC-120-277-PC



1. Wattage/Lamp

Compact Fluorescent:
D-52w-CFL (2x26w)
D-64w-CFL (2x32w)
D-84w-CFL (2x42w)

2. Fixture Type

**Dart Round Bulkhead
Half Cutoff:
FBWPHC**

3. Voltage

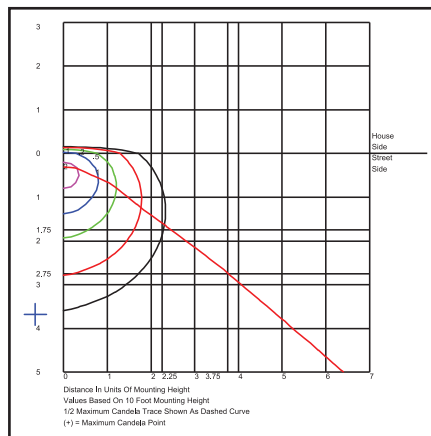
120-277v: 120-277



**Dart Round Bulkhead -
Half-Cutoff**

ACCESSORIES

PHOTOMETRICS



D-84w-CFL-FBWPHC

Specifications subject to change without notice.