

BREBASE Bollard RetroBase Kit



Anchor Bolt Retrofit Adapter Plate –

Fits most existing 3-Bolt or 4-Bolt Patterns



Bollard Mounting Cover Plate – Allows mounting of Bollard using the bollard cast aluminum base plate

Allows for retrofit of all round or square DuraGuard Bollards to most EXISTING anchor bolt patterns.

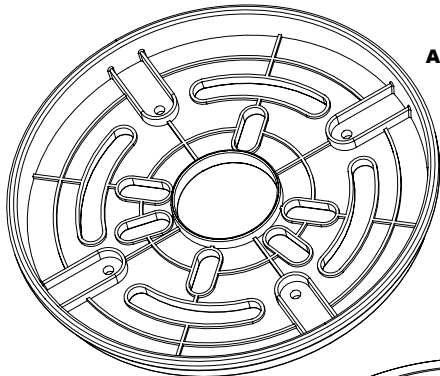


The BREBASE Bollard RetroBase Kit allows installation of new bollards to most existing bolt patterns without removal of existing bolts. Fits all round or square DuraGuard bollards.

ALL Round DuraGuard Bollards

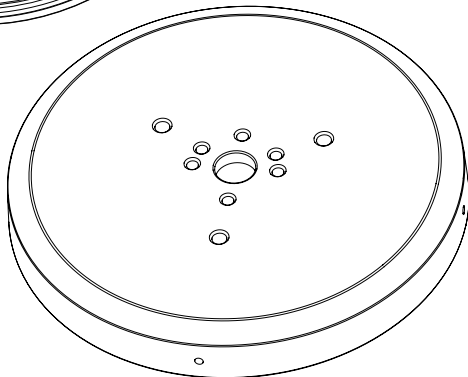


ALL Square DuraGuard Bollards



Anchor Bolt Retrofit Adapter Plate – Mounts to existing anchor bolts

Mounts to Bollard – using Bollard base cast aluminum base plate (Hardware Included)



Bollard Mounting Cover Plate – Mounts to Anchor Bolt Adapter Plate

See Pages 2 and 3 for Specifications, Installation Guide, and Mounting Details

Ordering Information Example: BREBASEZ

BREBASE

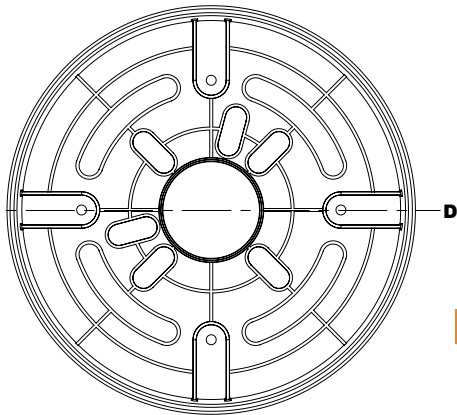
Model	Color
BREBASE=Bollard RetroBase Kit	B=Black Z=Bronze C=Custom (Consult Factory)

Bollard Accessories Series

Project Information	
Project Name: _____	Fixture Type: _____
Complete Catalog #: _____	Date: _____
Comments: _____	

Specifications subject to change without notice.

ANCHOR BOLT RETROFIT ADAPTER PLATE



Dimensions	
Diameter (D)	10 3/4" (271mm)
Height (A)	1" (26mm)



BOLLARD RETROBASE KIT INCLUDES:

- Heavy duty die cast aluminum Anchor Bolt Retrofit Adaptor Plate
- Includes slots for existing anchor bolt mounting, 3@120°, 4@90° or 2@ 180° (3.5" to 5" diameter bolt circle). Slots can accommodate 1/4" to 3/8" diameter anchor bolts.
 - Includes large diameter slots for installing field drilled anchors (not included) in the event that the existing anchor bolt pattern does not fit slots, or anchor bolts are damaged or unusable.
 - Includes 4 Stainless Steel leveling bolts with two leveling bubbles at 90° to level base prior to mounting new bollard.
 - Center conduit entrance hole designed to accommodate two 3/4" PVC conduits.

- Heavy duty die cast aluminum Bollard Mounting Cover Plate
- Includes threaded holes in patterns to match all round or square DuraGuard bollard base mounting plates.
 - Stainless Steel bolts for mounting bollard base plate.
 - 4 Stainless Steel set screws at 90° for securing the cover plate to the adaptor plate. Cover plate can be rotated 360°.

Powdercoat finish over chromate conversion coating in Black or Bronze standard to match DuraGuard Bollards.

BOLLARD MOUNTING COVER PLATE

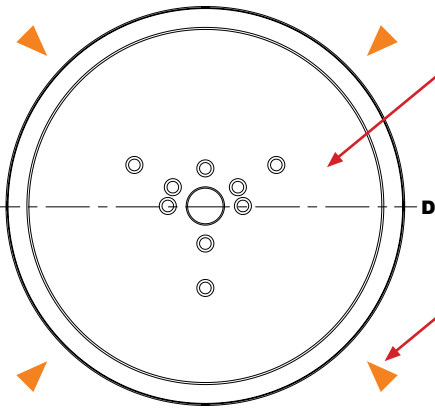
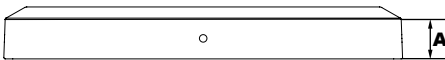


Plate has threaded holes in patterns for each DuraGuard bollard size. Mounting bolts are included. Bollard base mounts to plate.

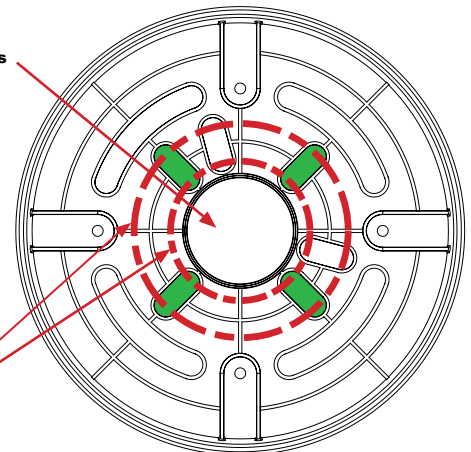
Plate includes 4 set screws on sides at 90 degrees for locking base cover to mounting plate. Fully rotatable.

Dimensions	
Diameter (D)	11 1/2" (292mm)
Height (A)	1 1/2" (38mm)



ANCHOR BOLT RETROFIT ADAPTER PLATE BOLT CIRCLES FOR USE WITH EXISTING ANCHOR BOLTS

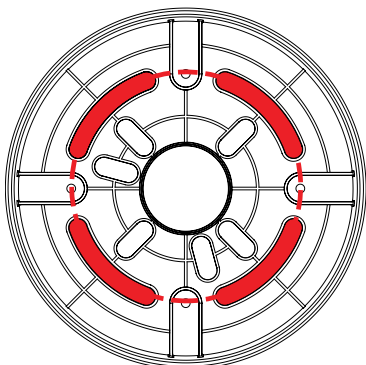
Conduit Entrance Area Accommodates Two 3/4" Stub-Ups.



For use with 4 bolts @ 90° or 2 bolts @ 180°

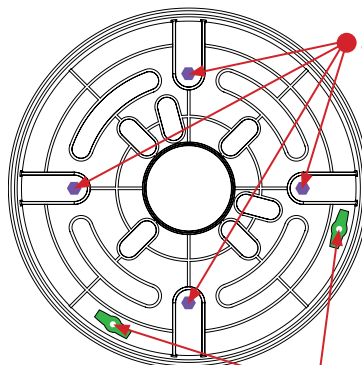
Fits bolt circles from 3.5" to 5"

Anchor Bolt Retrofit Adapter Plate allows for mounting with field installed drilled anchors



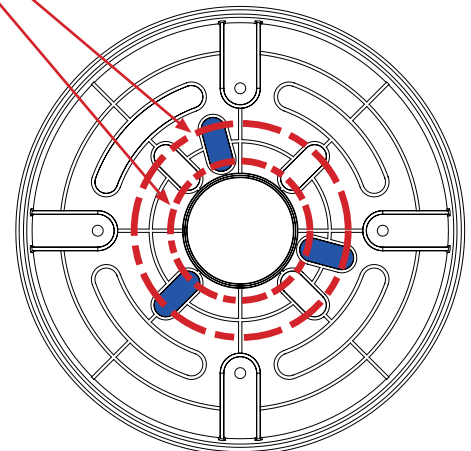
6.5" bolt circle for Drilled Anchors. Used when existing anchor bolts do not fit 4-bolt or 3-bolt slots or are damaged. These must be cut off and new drilled anchors installed.

Anchor Bolt Retrofit Adapter Plate Includes 4 leveling bolts and levels



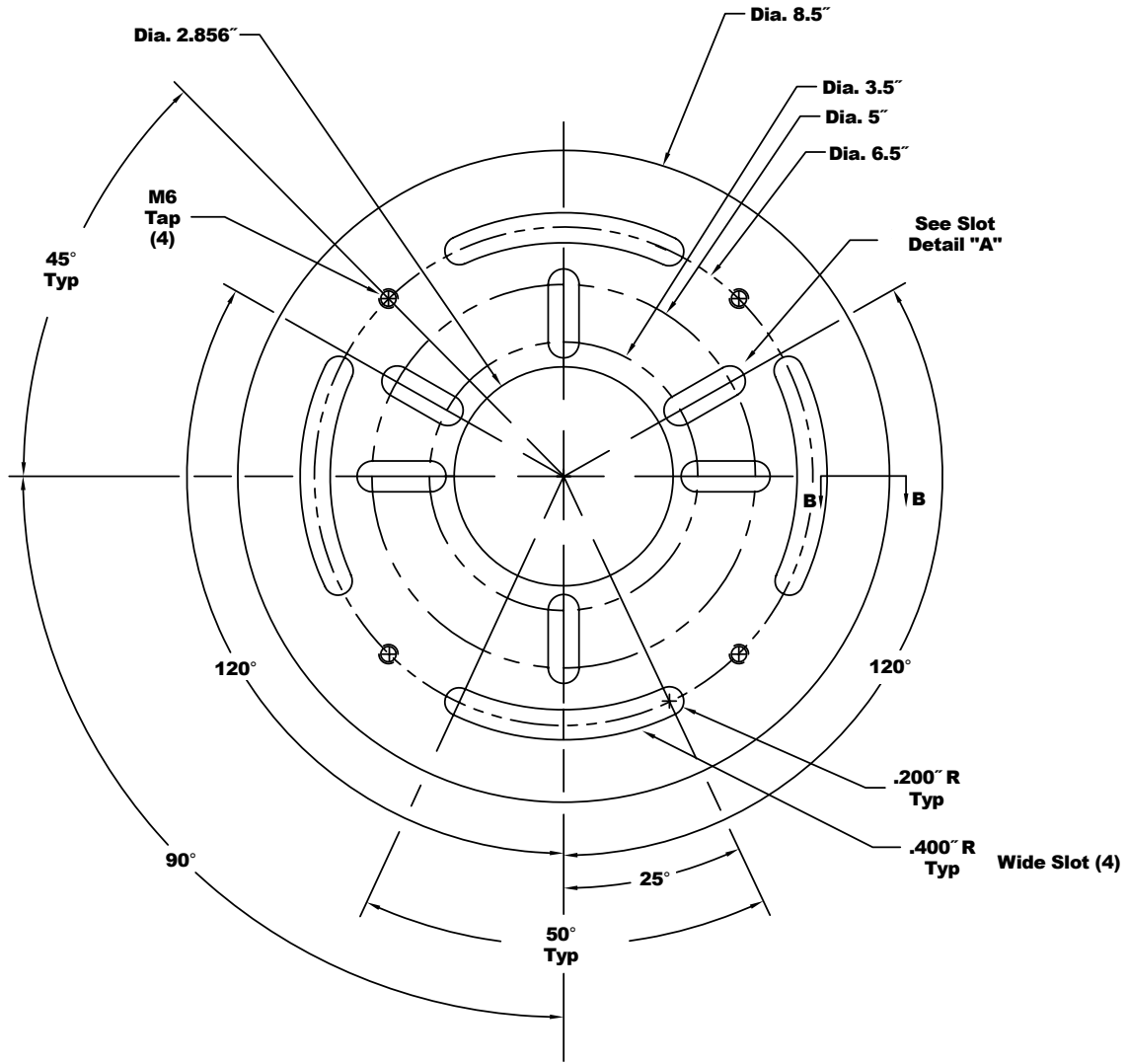
4 Leveling Bolts

Leveling Bubbles



For use with 3 bolts @ 120°

BREBASE TEMPLATE



Not to Scale

Slot Detail "A" (6)
Slots Total
Not to Scale

