

# WPS25HCQ DuraLED Orah Square Bulkhead - Half Cutoff



<b>Project Information</b>	
Project Name:	Fixture Type:
Complete Catalog #:	Date:
Comments:	

The DuraGuard Orah Square Bulkhead is designed to replace HID lighting systems up to 100w MH or HPS. The half-cutoff frame helps protect the polycarbonate lens and adds a decorative appearance. Typical applications include office and public buildings, condominiums, schools, shopping malls, and hospitality. Recommended mounting heights are 8 to 20 feet.

## SPECIFICATIONS AND FEATURES:

### HOUSING:

Die Cast Gasketed Aluminum Half Cutoff Front Frame and Housing with Integral Heat Sinking and Driver Compartment. Nickel-Plated Stainless Steel Hardware. Photocell Adaptable.

### LISTING & RATINGS:

CSA: Listed for Wet Locations, ANSI/UL 1598, 8750 IP66 Sealed LED Compartment.

### FINISH:

Textured Architectural Bronze Powdercoat Finish Over a Chromate Conversion Coating. Custom Colors Available Upon Request.

### LENS:

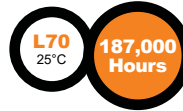
SoftLED LumaLens Polycarbonate Opal Vandal-Resistant Lens Eliminates LED Hot Spots

### MOUNTING OPTIONS:

Surface Mount

### DURALED LED:

Aluminum Boards



### WATTAGE:

Array: 17w, System: 19.7w (100w HID Equivalent)

### DRIVER:

Electronic Driver, 120-277V, 50/60Hz; Less Than 20% THD and PF>0.90. Standard Internal Surge Protection 2kV. 0-10V Dimming Standard for a Dimming Range of 100% to 10%; Dimming Source Current is 150 Microamps.

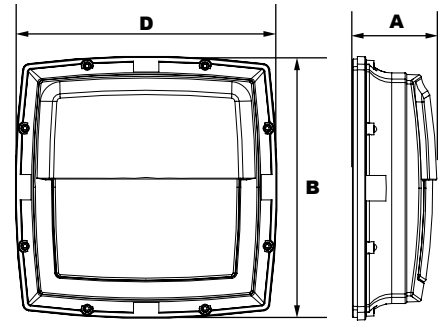
### CONTROLS:

Fixtures Ordered with Factory-Installed Photocell or Motion Sensor Controls are Internally Wired for Switching and/or 1-10V Dimming Within the Housing. Remote Direct Wired Interface of 1-10V Dimming is Not Implied and May Not Be Available, Please Consult Factory. Fixtures are Tested with DuraGuard Controls and May Not Function Properly With Controls Supplied By Others. Fixtures are NOT Designed for Use with Line Voltage Dimmers.

### WARRANTY:

5-Year Warranty for -40°C to +50°C Environment.

See Page 2 for Projected Lumen Maintenance Table.



### Dimensions

<b>Width (D)</b>	12½" (318mm)
<b>Length (B)</b>	12½" (318mm)
<b>Height (A)</b>	4¼" (108mm)

### DuraLED TECHNOLOGY

Complete Units  
Ordering Information  
Example: WPS25HCQF1X17U5KLZSF

## WPS25HCQ DuraLED Orah Square Bulkhead - Half Cutoff

WPS25HCQ	F	1X17	U		L		
Model	Optics	Wattage	Driver	CCT	Lens	Color	Options
WPS25HCQ= DuraLED Orah Square Bulkhead - Half Cutoff	F=Type IV	1X17=17w	U=120-277V	4K=4000K 5K=5000K	L=SoftLED LumaLens Opal Polycarbonate Array Lens	Z=Bronze W=White C=Custom (Consult Factory)	SF=Single Fuse DF=Double Fuse SP=Surge Protector PC3=Photocell, 120-277VAC P10=Pencil Photocell, 120VAC P12=Pencil Photocell, 277VAC S2=Microwave Sensor with Dimming for Mounting Heights of 8 to 40' BU=Battery Backup, 90 Minutes



Specifications subject to change without notice.

# WPS25HCQ DuraLED Orah Square Bulkhead - Half Cutoff



**P18103**



**P18110 & P18112**



**P17117**

Replacement Parts (Order Separately, Field Installed)	
P18103	120-277VAC Photocell
P18110	110-130V 120VAC Pencil Photocell
P18112	208-277V 240VAC Pencil Photocell
P17117	Internal Microwave Sensor with Dimming for Mounting Heights of 8 to 40'. 120-277VAC, 50/60Hz.

For Replacement Battery Backup, see the DuraGuard LED Battery Backup Specification Sheet.

## PHOTOMETRIC PERFORMANCE

LED Board Watts	Drive Current (mA)	Input Watts	Optics	5000 CCT 80 CRI					4000 CCT 80 CRI				
				Lumens	LPW	B	U	G	Lumens	LPW	B	U	G
DuraLED 17w	525	20	Type IV	2,073	104	0	4	2	1,990	100	0	4	2

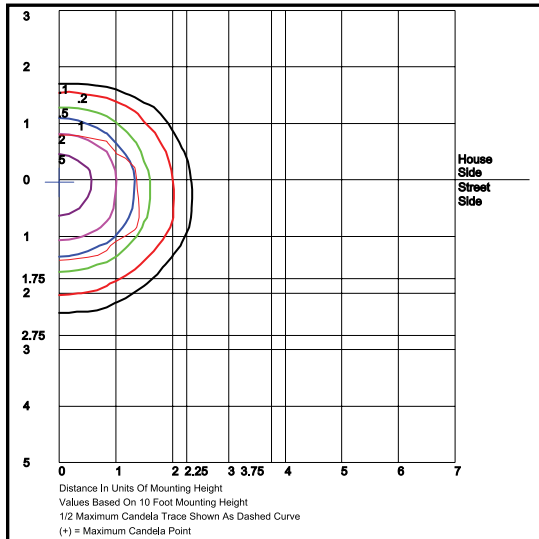
## PROJECTED LUMEN MAINTENANCE

Data shown for 5000 CCT		Compare to MH				
TM-21-11	Input Watts	Initial	25,000 Hrs	50,000 Hrs	100,000 Hrs	Calculated L70@ 25°C
<b>L70 Lumen Maintenance @ 25°C / 77°F</b>	20	1.00	0.96	0.92	0.84	187,000
TM-21-11	Input Watts	Initial	25,000 Hrs	50,000 Hrs	100,000 Hrs	Calculated L70@ 50°C
<b>L70 Lumen Maintenance @ 50°C / 122°F</b>	20	1.00	0.96	0.91	0.82	113,000
TM-21-11	Input Watts	Initial	25,000 Hrs	50,000 Hrs	100,000 Hrs	Calculated L80@ 40°C
<b>L80 Lumen Maintenance @ 40°C / 104°F</b>	20	1.00	0.94	0.89	0.77	88,000

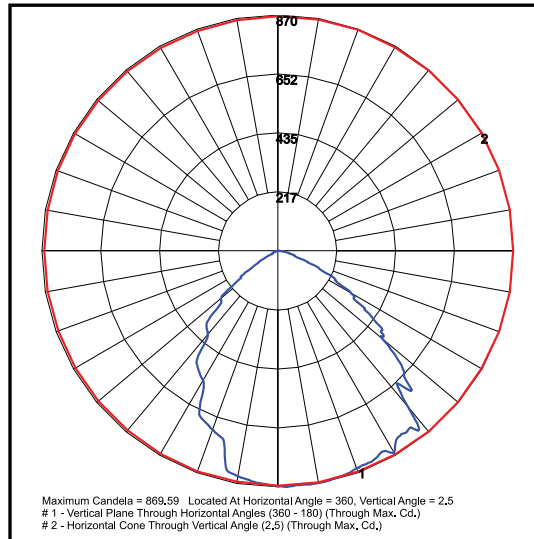
### NOTES:

- Projected per IESNA TM-21-11. Data references the extrapolated performance projections for the 525mA base model in a 25°C ambient, based on 10,000 hours of LED testing per IESNA LM-80-08.
- Compare to MH box indicates suggested Light Loss Factor (LLF) to be used when comparing to Metal Halide (MH) systems.

## PHOTOMETRIC DATA



**WPS25HCQF1X17U5K**  
Type IV  
Grid in MH  
MH=10 Feet



**WPS25HCQF1X17U5K**  
Type IV