



## Small Wallpack - Polycarbonate Lens



SWPPC



### FEATURES & APPLICATIONS

**Features:**

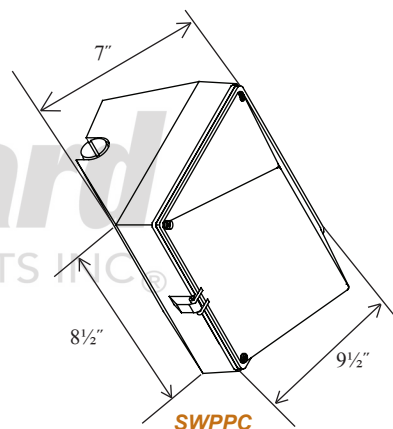
- Die Cast Aluminum Housing, 1/2" Coin Plugs with O-rings for Conduit & Photocell
- Textured Architectural Bronze Powder Coat Finish Over a Chromate Conversion Coating for Durability
- Aluminum Reflector
- Lens: Prismatic Polycarbonate Hinged Diffuser with UV Inhibitors & Gasket
- Optional Cast Aluminum Mounting Plate, Mounts Directly Over a 4" Recessed Outlet Box or use 1/2" Surface Conduit
- CSA Listed for Wet Locations
- Custom Colors Available
- Lamp Included

**Applications:**

- Warehouse Facilities
- Shipping and Receiving Areas
- Cold Storage Facilities
- Industrial Plants

**Accessories Sold Separately**

### DIMENSIONS



### ORDER INFORMATION

Typical Ordering Number:

**D-42w-CFL-SWPPC-120-277-PC**



**1. Wattage/Lamp**

**Compact Fluorescent:**  
 D-26w-CFL  
 D-32w-CFL  
 D-42w-CFL

**Pulse Start Metal Halide:**  
 D-50w-PSMH  
 D-70w-PSMH

**High Pressure Sodium:**  
 D-35w-HPS  
 D-50w-HPS  
 D-70w-HPS  
 D-100w-HPS  
 D-150w-HPS

**2. Fixture Type**

**Small Wallpack  
 Polycarbonate Lens:**  
 SWPPC

**3. Voltage**

**Multi-tap: MT**  
 120v: 120  
 120/277v: 120/277  
 120-277v: 120-277

**4. Options**

**Photocell: PC**  
 (Designate Voltage)  
**In-Line Fuse: F**  
 (Designate Voltage)  
**Wall Mount Plate: WMP**  
**Prismatic Polycarbonate  
 Hinged Diffuser: PPHD**



**Small Wallpack -  
Polycarbonate Lens**

**ACCESSORIES**



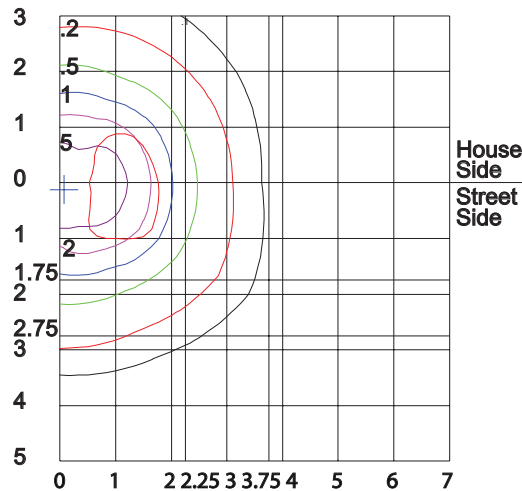
*Prismatic Polycarbonate  
Hinged Diffuser (PPHD)*



*Wall Mount Plate (WMP)*



**PHOTOMETRICS**



Distance In Units Of Mounting Height  
 Values Based On 10 Foot Mounting Height  
 1/2 Maximum Candela Trace Shown As Dashed Curve  
 (+) = Maximum Candela Point

*D-100w-PSMH-SWPPC*

Specifications subject to change without notice.