



Dart Square Bulkhead - Half-Cutoff Frame

FEATURES & APPLICATIONS

Features:

- Sleek, Modern Design
- Die Cast Aluminum Housing & Half-Cutoff Frame
- Surface Mount
- White Powder Coat Steel Pan Reflector
- LumaLens Polycarbonate Opal Lens
- Textured Architectural Powder Coat Finish Over a Chromate Conversion Coating
- CSA: Listed for Wet Location, Wall Mount Only
- Choose White or Bronze Color; Custom Colors Available
- Energy Saving Lamp Included

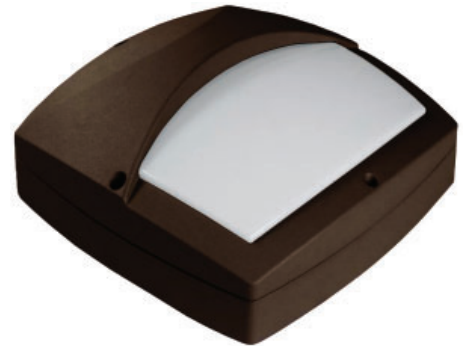
Applications:

- Modern Architecture
- Office Buildings
- Condominiums
- Homes
- Schools
- Shopping Malls
- Hotels

Hi-Quality Designer Fixture

Energy Saving PL Lamps

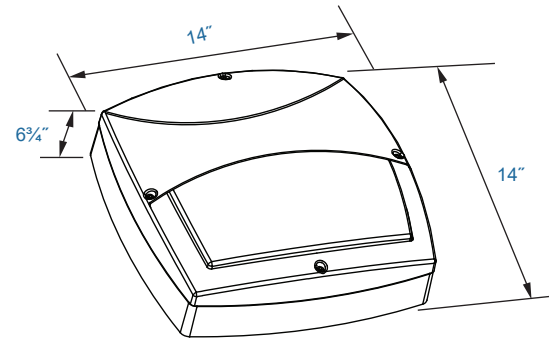
Accessories Sold Separately



SBWPHC



DIMENSIONS



SBWPHC

ORDER INFORMATION

Typical Ordering Number:

D-84w-CFL-SBWPHC-120-277-PC



1. Wattage/Lamp

- Compact Fluorescent:
- D-52w-CFL (2x26w)
- D-64w-CFL (2x32w)
- D-84w-CFL (2x42w)

2. Fixture Type

- Dart Square Bulkhead
- Half Cutoff:
- SBWPHC

3. Voltage

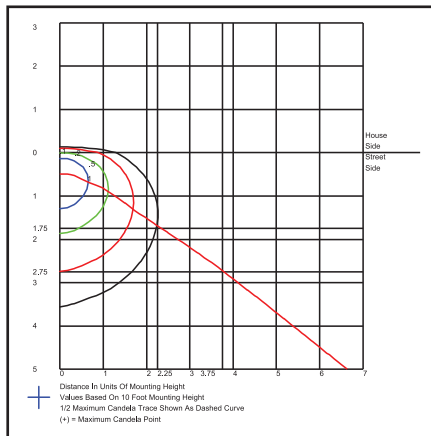
120-277v: 120-277



**Dart Square Bulkhead -
Half-Cutoff Frame**

ACCESSORIES

PHOTOMETRICS



D-84w-CFL-SBWPFC

Specifications subject to change without notice.