



FEATURES & APPLICATIONS

Features:

- Die Cast Aluminum Housing & Hinged Front Frame with Stainless Steel Hinge, 1/2" Coin Plugs with O-rings for Conduit & Photocell
- Textured Architectural Powder Coat Finish Over a Chromate Conversion Coating
- Includes Safety Cable to Prevent Front Frame Impact When Relamping
- Aluminum Reflector
- Prismatic Borosilicate Glass Lens
- Cast-in Template for Mounting over a 4" Recessed Outlet Box, or use 1/2" Surface Conduit
- CSA Listed for Wet Locations
- Custom Colors Available
- Lamp Included

Applications:

- Rear of Public Buildings
- Restaurants
- Convenience Stores
- Gas Stations
- Fast Food

Accessories Sold Separately

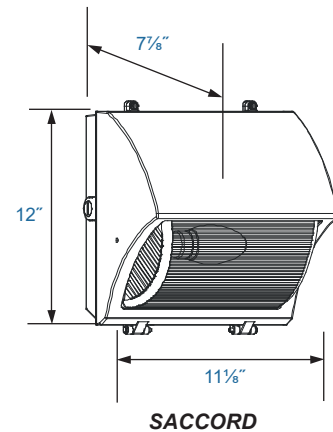
**Small Accord
Semi-Cutoff Wallpack**



SACCORD



DIMENSIONS



ORDER INFORMATION

Typical Ordering Number:

D-150w-PSMH-SACCORD-MT-WG



1. Wattage/Lamp

Compact Fluorescent:

- D-26w-CFL D-52w-CFL (2x26w)
- D-32w-CFL D-64w-CFL (2x32w)
- D-42w-CFL D-84w-CFL (2x42w)

Pulse Start Metal Halide:

- D-50w-PSMH D-150w-PSMH
- D-70w-PSMH
- D-100w-PSMH

High Pressure Sodium:

- D-35w-HPS
- D-50w-HPS
- D-70w-HPS
- D-100w-HPS
- D-150w-HPS

2. Fixture Type

Small Accord
Semi-Cutoff Wallpack:
SACCORD

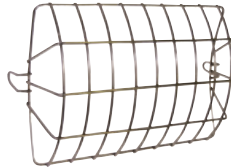
3. Voltage

Multi-tap: **MT**
120v: **120**
120/277v: **120/277**
120-277v: **120-277**

4. Options

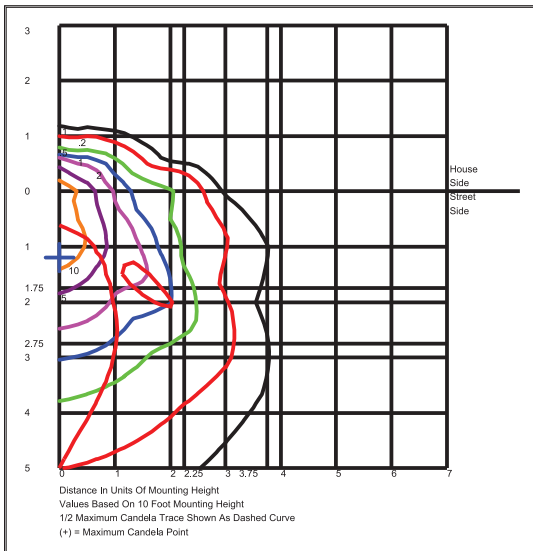
120V Pencil Photocell (Field Installed):
P18110
120V Swivel Photocell (Field Installed):
P18120
240V Pencil Photocell (Field Installed):
P18112
240V Swivel Photocell (Field Installed):
P18122
Wireguard: **WG**

ACCESSORIES

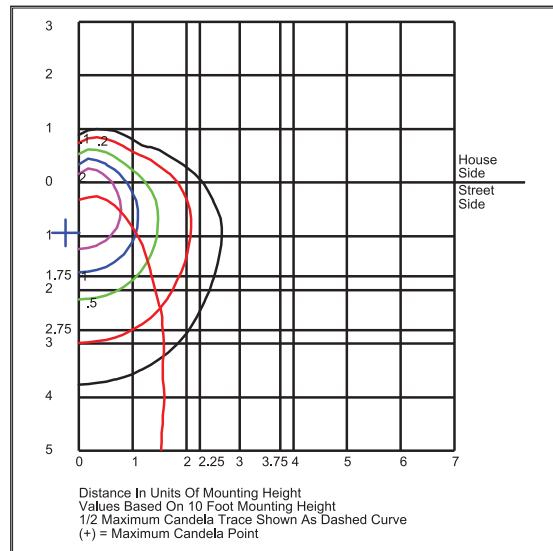


**Wireguard
 (SACCORDWG)**

PHOTOMETRICS



D-150w-PSMH-SACCORD



D-84w-CFL-SACCORD

Specifications subject to change without notice.