

PF81Q DuraLED Sculptor Enclosed Large Round Post Top



Project Name:	Project Information	Fixture Type:
Complete Catalog #:		Date:
Comments:		

The DuraGuard PF81Q Sculptor Architectural Enclosed Large Round Post Top is available in a Type V distribution designed to replace HID lighting systems up to 1000w MH or HPS. The fixture mounts to a pole top tenon. Typical area lighting applications include parking areas, walkways, and street lighting applications. Mounting heights of 12 to 30 feet can be used based on light level and uniformity requirements.

SPECIFICATIONS AND FEATURES:

HOUSING:

Die Cast Aluminum Housing, Integral Heat Sinking. Photocell Adaptable.

LISTING & RATINGS:

CSA: Listed for Wet Locations, ANSI/UL 1598, 8750 IP66 Sealed LED Compartment.

FINISH:

Black Powdercoat Finish Over a Chromate Conversion Coating. Custom Colors Available Upon Request.

LENS:

Clear Polycarbonate Array Lens to Seal LED Array. Prismatic Clear Polycarbonate Vandal-Resistant Outer Conical Lens

MOUNTING OPTIONS:

Accommodates "P3" 2 7/8" O.D. x 3" Tenons

DURALED LED:

Aluminum Boards

WATTAGE:

100w Array: 100w, System: 112w; (150-250w HID Equivalent)
176w Array: 176w, System: 190.2w (400-1000w HID Equivalent)



DRIVER:

Electronic Driver, 120-277V, 50/60Hz or 347-480V, 50/60Hz; Less Than 20% THD and PF>0.90. Standard Internal Surge Protection 6kV. 0-10V Dimming Standard for a Dimming Range of 100% to 10%; Dimming Source Current is 150 Microamps.

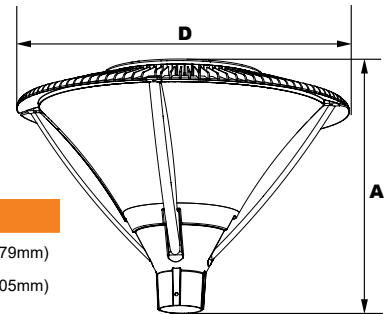
CONTROLS:

Fixtures Ordered with Factory-Installed Photocell or Motion Sensor Controls are Internally Wired for Switching and/or 1-10V Dimming Within the Housing. Remote Direct Wired Interface of 1-10V Dimming is Not Implied and May Not Be Available, Please Consult Factory. Fixtures are Tested with DuraGuard Controls and May Not Function Properly With Controls Supplied By Others. Fixtures are NOT Designed for Use with Line Voltage Dimmers.

WARRANTY:

5-Year Warranty for -40°C to +50°C Environment.

See Page 2 for Projected Lumen Maintenance Table.



Dimensions

Diameter (D) | 26 3/4" (679mm)
Height (A) | 19 1/8" (505mm)

DuraLED TECHNOLOGY

Complete Units
Ordering Information
Example: PF81QF1X176U5KCBSP

PF81Q DuraLED Sculptor Enclosed Large Round Post Top

PF81Q	F				C		
Model	Optics	Wattage	Driver	CCT	Lens	Color	Options
PF81Q= DuraLED Sculptor Enclosed Large Round Post Top	F= Type V	1X100= 100w 1X176= 176w	U= 120-277V H= 347-480V	3K= 3000K 4K= 4000K 5K= 5000K	C= Clear Polycarbonate Outer Conical Lens	B= Black C= Custom (Consult Factory)	

SF=Single Fuse
DF=Double Fuse
SP=Surge Protection
S2=Microwave Sensor with Dimming for Mounting Heights of 8 to 40'
R3=3-Pin Twist Lock Photocell Receptacle
R7=7-Pin ANSI C136.41—2013 Twist Lock Photocell Receptacle



Specifications subject to change without notice.

PF81Q DuraLED Sculptor Enclosed Large Round Post Top



ACCESSORIES & REPLACEMENT PARTS:



Accessories (Order Separately, Field Installed)	
P18131	Twist Lock Non-Shorting (Open) Cap Disconnects Service to Fixture for Temporary or Permanent Disabling (Fixture Always Off). IP65, 480V Maximum.
P18132	Twist Lock Shorting Cap Provides Fixed Service to Fixture (Fixture Always on). IP65, Rated Load 7200w Tungsten.
P18140	110-120VAC Instant Twist Lock Photocell
P18142	105-287VAC Instant Twist Lock Photocell
P18150	120VAC Time Delay Twist Lock Photocell
P18152	277VAC Time Delay Twist Lock Photocell
P18154	480VAC Time Delay Twist Lock Photocell. For 480V use only.
P18156	120-277VAC Universal Twist Lock Photocell

Replacement Place (Order Separately, Field Installed)	
PF80PC	Clear Polycarbonate Outer Conical Lens.
P17117	Internal Microwave Sensor with Dimming for Mounting Heights of 8 to 40'. 120-277VAC, 50/60Hz

PHOTOMETRIC PERFORMANCE

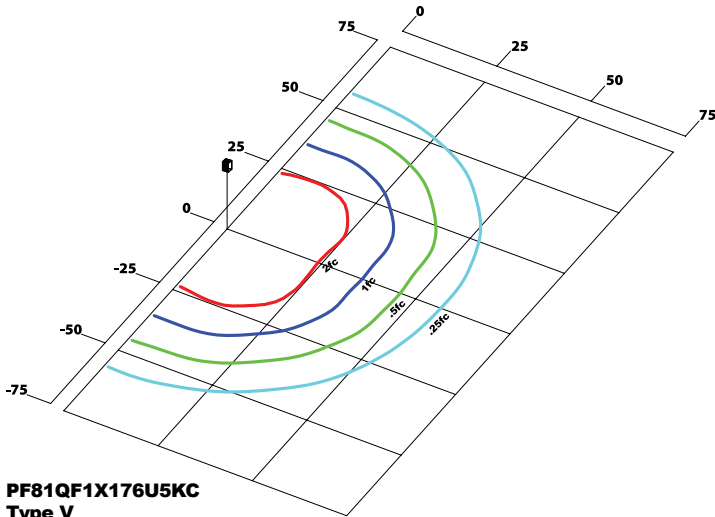
LED Board Watts	Drive Current (mA)	Input Watts	Optics	5000 CCT 80 CRI					4000 CCT 80 CRI				
				Lumens	LPW	B	U	G	Lumens	LPW	B	U	G
DuraLED 176w	525	190	Type V Clear	16,405	86	3	2	2	16,101	85	3	2	2

PROJECTED LUMEN MAINTENANCE

Data shown for 5000 CCT			Compare to MH				
TM-21-11	Input Watts	Initial	25,000 Hrs	50,000 Hrs	100,000 Hrs	Calculated L70@ 25°C	
L70 Lumen Maintenance @ 25°C / 77°F	190	1.00	0.98	0.96	0.92	362,000	
TM-21-11	Input Watts	Initial	25,000 Hrs	50,000 Hrs	100,000 Hrs	Calculated L70@ 50°C	
L70 Lumen Maintenance @ 50°C / 122°F	190	1.00	0.96	0.92	0.84	183,000	
TM-21-11	Input Watts	Initial	25,000 Hrs	50,000 Hrs	100,000 Hrs	Calculated L80@ 40°C	
L80 Lumen Maintenance @ 40°C / 104°F	190	1.00	0.97	0.94	0.88	167,000	

NOTES:
 1. Projected per IESNA TM-21-11. Data references the extrapolated performance projections for the 525mA base model in a 25°C ambient, based on 10,000 hours of LED testing per IESNA LM-80-08.
 2. Compare to MH box indicates suggested Light Loss Factor (LLF) to be used when comparing to Metal Halide (MH) systems.

PHOTOMETRIC DATA



PF81QF1X176U5KC
 Type V
 Grid in MH
 MH=25 Feet

EPA (EFFECTIVE PROJECTED AREA)

EPA (Sq. Ft.)	Weight (Lbs.)
3.20	32 Lbs