



## FEATURES

**Caps:** Decorative Spun Aluminum Cap with Black Powdercoat Finish.

**Finial:** Finals Have Spun Aluminum Base with Cast Aluminum Fleur-De-Lis or Spear.

**Lens:** Lexalite Lindy Prismatic Acrylic Globes, Type III or Type V, with 9" Neck.

**Decorative Bands:** Stamped and Formed Heavy Duty Aluminum Clamp Bands with Black Powdercoat Finish. Available as Standard Clamp Band, Deluxe Clamp Band with Decorative Band, or Premium Clamp Band with Decorative Band with Three Decorative Supports. Black Powdercoat Finish. Includes Black Oxide Mounting Hardware.

**Housing:** PFCN50 Sand Cast Aluminum Housing, Black Powdercoat Finish. Includes Mounting Hardware.

**Listing & Ratings:** CSA: Listed for Wet Locations, ANSI/UL 1598, 8750 IP67 Sealed LED Compartment.

**Mounting:** Accommodates 3" Poles or Tenons

**DuraLED LED:** Delivered Lumens: 5,411 (F, Type III); CRI: 80+; CCT: 4000K Rated Life: 50,000 Hours; Aluminum Boards; Array has IP67 rating

**Wattage:** Array: 84w; System: 92.7w

**Driver:** Electronic Driver, 120-277V, 50/60Hz; Less Than 20% THD and PF>0.90. Standard Internal Surge Protection 6kV. 0-10V Dimming Standard for a Dimming Range of 100% to 10%; Dimming Source Current is 150 Microamps.

**Warranty:** 5-Year Warranty for -40°C to +40°C Environment.

**Listings & Ratings:** CSA: Listed for Wet Locations

**Custom Colors Available Upon Request.**

## ORDER INFORMATION

### DuraLED Bostonian Series - PB2

Catalog #

Description

**Complete Heads**

**Ordering Information**

Example: PB2P3FQF1X84U4KBSF

<b>PB2</b>	<b>Model:</b>	PB2
<b>P</b>	<b>Style:</b>	S=Standard, D=Deluxe, P=Premium
<b>3</b>	<b>Globe:</b>	3=Type III, 5=Type V
<b>F</b>	<b>Finial</b>	F=Fleur-de-lis, S=Spear
<b>Q</b>	<b>LED Mfr:</b>	Q=QSSI
<b>F</b>	<b>Optics:</b>	F=Type V
<b>1X</b>	<b>Number of Modules:</b>	1X=One
<b>84</b>	<b>Wattage:</b>	84=84w
<b>U</b>	<b>Ballast:</b>	U=120-277V
<b>4K</b>	<b>CCT:</b>	4K=4000K
<b>B</b>	<b>Color:</b>	B=Black
<b>SF</b>	<b>Options:</b>	SF=Single Fuse, DF=Double Fuse,

## Bostonian Series - PB2

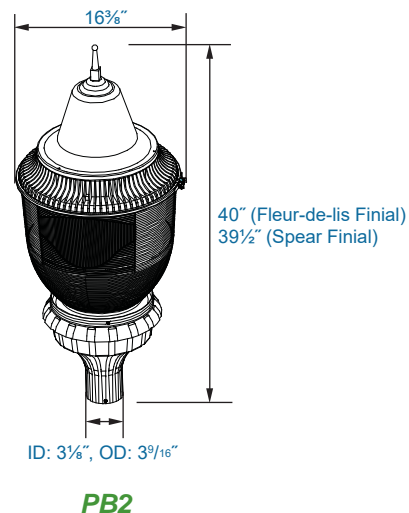


Premium with  
Fleur-de-lis  
Finial

Deluxe  
with Spear  
Finial

Standard  
with Spear  
Finial

## DIMENSIONS



## APPLICATIONS

Outdoor Area Lighting  
Lighting Streets & Drives  
Landscaping

LED

**ACCESSORIES**

Catalog #	Description
PFINFDLB	Decorative Fleur-de-lis finial with spun aluminum base and cast aluminum finial. Black powdercoat finish, 1/4" IP (1/2" OD) threaded mounting rod.
PFINSPEB	Decorative Spear finial with spun aluminum base and cast aluminum finial. Black powdercoat finish, 1/4" IP (1/2" OD) threaded mounting rod.
PADAB	Dual head decorative pole arm, aluminum with black powdercoat finish, fits 3" tenon, includes stainless steel hardware. Accepts 3" diameter fitters. 13" high x 43" overall width.
PWASAB	Single decorative wall mount bracket, aluminum with black powdercoat finish, includes stainless steel hardware. Accepts 3" diameter fitters. 10" high x 15" overall length.
PFNR9	9" Neck ring. Used to prevent neck cracking caused by over-tightening screws during installation.
PB24A4B	Two-piece decorative wrap-around die cast aluminum base, 24" high x 12" diameter, black powdercoat finish, includes stainless steel hardware.
PARF416ABB	16' Anchor Base Pole
PARF422DBB	22' Direct Burial Pole



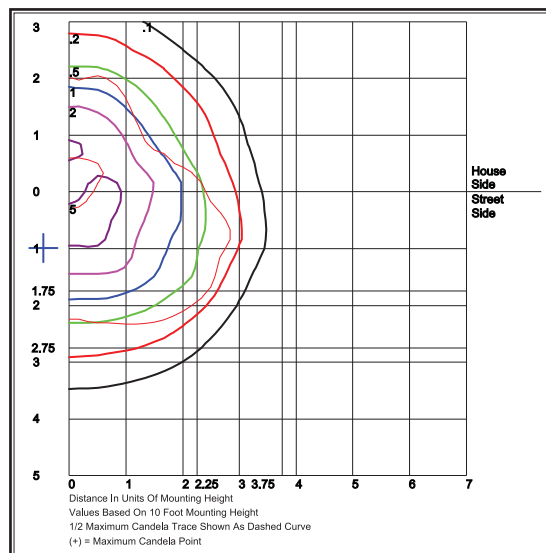
Model	Gross EPA	Drag EPA	Net EPA
PB2 Models w/ Fitter	2.44	1.22	1.59
PADAB Dual Arm	1.42	0.71	0.92

**Gross EPA** - Square Feet of Vertical Plane Surface  
**Drag EPA** - Gross EPA Adjusted for Drag Factor (.5)  
**NET EPA** - Drag EPA x Safety Factor of 1.3

**EPA's ARE APPROXIMATE, SPECIFIC TO LOCATION AND LOCAL CODES. CONSULT ENGINEER FOR SPECIFIC APPLICATION**

*See the Bostonian and Decorative Pole Catalog Pages for Complete Specifications Including EPA Ratings.*

**PHOTOMETRICS**



**PB2D3FQF1X84U4K**

Specifications subject to change without notice.



## FEATURES

**Caps:** Decorative Spun Aluminum Cap with Black Powdercoat Finish.

**Finial:** Finals Have Spun Aluminum Base with Cast Aluminum Fleur-De-Lis or Spear.

**Lens:** LexaLite Lindy Prismatic Acrylic Globes, Type III or Type V, with 9" Neck.

**Decorative Bands:** Stamped and Formed Heavy Duty Aluminum Clamp Bands with Black Powdercoat Finish. Available as Standard Clamp Band, Deluxe Clamp Band with Decorative Band, or Premium Clamp Band with Decorative Band with Three Decorative Supports. Black Powdercoat Finish. Includes Black Oxide Mounting Hardware.

**Housing:** PFCN50 Sand Cast Aluminum Housing, Black Powdercoat Finish. Includes Mounting Hardware.

**Listing & Ratings:** CSA: Listed for Wet Locations, ANSI/UL 1598, 8750  
IP67 Sealed LED Compartment.

**Pole:** 4" O.D. x .120 (11 Gauge) Fluted Aluminum extruded poles in direct burial or Anchor Base Styles. Twin Head Models Include the PADAB Dual Head Pole Arm.

**Base:** Two-Piece Wrap-Around Sand Cast Aluminum Base with Stainless Steel Hardware.

**DuraLED LED:** Delivered Lumens: 5,411 (F, Type III); CRI: 80+; CCT: 4000K  
Rated Life: 50,000 Hours; Aluminum Boards; Array has IP67 rating

**Wattage:** Array: 84w; System: 92.7w

**Driver:** Electronic Driver, 120-277V, 50/60Hz; Less Than 20% THD and PF>0.90. Standard Internal Surge Protection 6kV. 0-10V Dimming Standard for a Dimming Range of 100% to 10%; Dimming Source Current is 150 Microamps.

**Warranty:** 5-Year Warranty for -40°C to +40°C Environment.

**Custom Colors Available Upon Request.**

## ORDER INFORMATION

### DuraLED Bostonian Series - PB2

Catalog #	Description
<b>Complete Units</b>	
<b>Ordering Information</b>	
Example: PB2P3FQF1X84U4KB2D24SF	
<b>PB2</b>	<b>Model:</b> PB2
<b>P</b>	<b>Style:</b> S=Standard, D=Deluxe, P=Premium
<b>3</b>	<b>Globe:</b> 3=Type III, 5=Type V
<b>F</b>	<b>Finial:</b> F=Fleur-de-lis, S=Spear
<b>Q</b>	<b>LED Mfr:</b> Q=QSSI
<b>F</b>	<b>Optics:</b> F=Type V
<b>1X</b>	<b>Number of Modules:</b> 1X=One
<b>84</b>	<b>Wattage:</b> 84=84w
<b>U</b>	<b>Ballast:</b> U=120-277V
<b>4K</b>	<b>CCT:</b> 4K=4000K
<b>B</b>	<b>Color:</b> B=Black
<b>2</b>	<b>Number of Heads:</b> 1=Single Head, 2=Dual Heads
<b>D</b>	<b>Pole:</b> D=Direct Burial Pole, A=Anchor Base Pole
<b>24</b>	<b>Base:</b> 24=24" Base
<b>SF</b>	<b>Options:</b> SF=Single Fuse, DF=Double Fuse

## Bostonian Series - PB2



**Premium Twin Head,  
24" Base**



**Premium Single  
Head, 24" Base**

## ADDITIONAL INFORMATION

*See the Bostonian and Decorative Pole Catalog Pages for Complete Specifications Including EPA Ratings.*

LED

**ACCESSORIES**

Catalog #	Description
PFINFDLB	Decorative Fleur-de-lis finial with spun aluminum base and cast aluminum finial. Black powdercoat finish, 1/4" IP (1/2" OD) threaded mounting rod.
PFINSPEB	Decorative Spear finial with spun aluminum base and cast aluminum finial. Black powdercoat finish, 1/4" IP (1/2" OD) threaded mounting rod.
PADAB	Dual head decorative pole arm, aluminum with black powdercoat finish, fits 3" tenon, includes stainless steel hardware. Accepts 3" diameter fitters. 13" high x 43" overall width.
PWASAB	Single decorative wall mount bracket, aluminum with black powdercoat finish, includes stainless steel hardware. Accepts 3" diameter fitters. 10" high x 15" overall length.
PFNR9	9" Neck ring. Used to prevent neck cracking caused by over-tightening screws during installation.
PB24A4B	Two-piece decorative wrap-around die cast aluminum base, 24" high x 12" diameter, black powdercoat finish, includes stainless steel hardware.
PARF416ABB	16' Anchor Base Pole
PARF422DBB	22' Direct Burial Pole



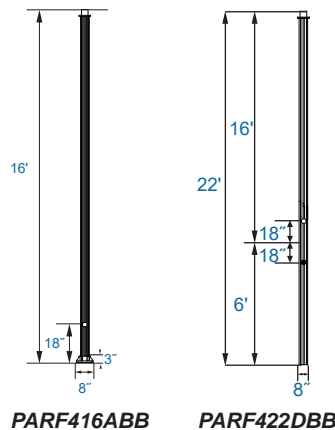
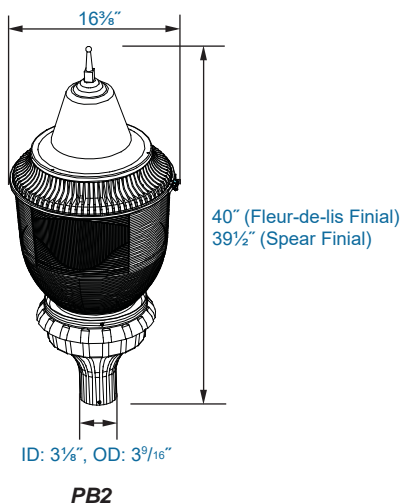
Model	Gross EPA	Drag EPA	Net EPA
PB2 Models w/ Fitter	2.44	1.22	1.59
PADAB Dual Arm	1.42	0.71	0.92

**Gross EPA** - Square Feet of Vertical Plane Surface  
**Drag EPA** - Gross EPA Adjusted for Drag Factor (.5)  
**NET EPA** - Drag EPA x Safety Factor of 1.3

**EPA's ARE APPROXIMATE, SPECIFIC TO LOCATION AND LOCAL CODES. CONSULT ENGINEER FOR SPECIFIC APPLICATION**

*See the Bostonian and Decorative Pole Catalog Pages for Complete Specifications Including EPA Ratings.*

**PHOTOMETRICS**



LED

*See the Bostonian and Decorative Pole Catalog Pages for Complete Specifications Including EPA Ratings.*

Specifications subject to change without notice.