



FEATURES & APPLICATIONS

Features:

- 120V Internal Photo Control Included
- Heavy Duty Die-Cast Aluminum Mounting Plate with Cast-In Template for Mounting Over an Electrical Box
- Injection Molded Bronze Polycarbonate Front Housing and Clear Prismatic Diffuser with UV Inhibitors
- ½" NPS Conduit Entrance on Bottom
- CSA Listed for Wet Locations
- Lamp Included

Applications:

- Residential Buildings and Exteriors
- Entry Ways and Stairways
- Parking Garages
- Storage Areas

Accessories Sold Separately

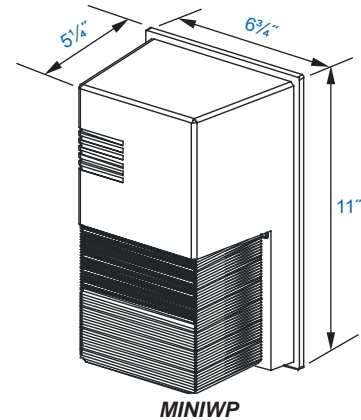
Mini Wallpack - Polycarbonate Lens



MINIWP



DIMENSIONS



ORDER INFORMATION

Typical Ordering Number:
D-70w-HPS-MINIWP-120



1. Wattage/Lamp

High Pressure Sodium:
D-35w-HPS
D-50w-HPS
D-70w-HPS

2. Fixture Type

Mini Wallpack:
MINIWP

3. Voltage

120v: 120

4. Options

In-Line Fuse: F
(Designate Voltage)

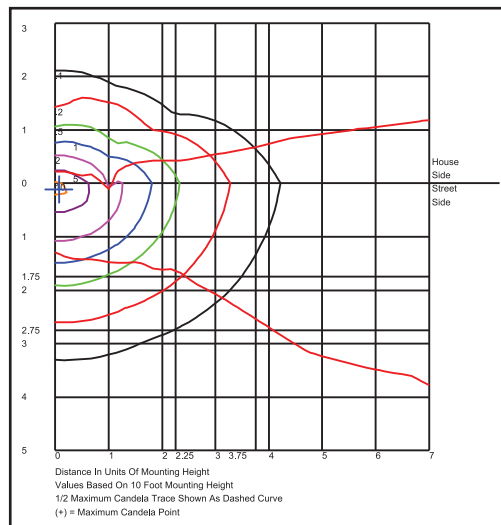
**PHOTOCELL
INCLUDED!**



Mini Wallpack - Polycarbonate Lens

ACCESSORIES

PHOTOMETRICS



D-70w-HPS-MINIWP

Specifications subject to change without notice.