

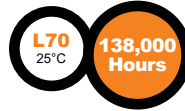
LWPQ DuraLED Large Wallpack



Project Information	
Project Name: _____	Fixture Type: _____
Complete Catalog #: _____	Date: _____
Comments: _____	

The DuraGuard LWPQ general purpose wall pack luminaire provides optically controlled wide spread light distribution designed to replace HID lighting systems from 100w to 400w MH or HPS. Typical wall mounted lighting applications include retail centers, industrial parks, schools and universities, public transit and airports, office buildings and medical facilities. Mounting heights of 18 to 30 feet can be used based on light level and uniformity requirements.

SPECIFICATIONS AND FEATURES:



HOUSING:

Die Cast Aluminum Housing & Hinged Front Frame, 1/2" Coin Plugs with O-rings for Conduit & Photocell. Gasketed.

LISTING & RATINGS:

CSA: Listed for Wet Locations, ANSI/UL 1598, 8750 IP65 Sealed LED Compartment.

FINISH:

Textured Architectural Bronze Powdercoat Finish Over a Chromate Conversion Coating. Custom Colors Available Upon Request.

LENS:

Prismatic Clear or SoftLED Prismatic Borosilicate Glass Lens

MOUNTING OPTIONS:

Cast-in Template for Mounting Directly Over a 4" Recessed Outlet Box, or Use 1/2" Surface Conduit.

DURALED LED:

Aluminum Boards

WATTAGE:

Array: 29w, System: 31.6w; (100w HID Equivalent)
 Array: 43w, System: 47.4w; (250w HID Equivalent)
 Array: 57.8w, System: 67.3w; (400w HID Equivalent)

DRIVER:

Electronic Driver, 120-277V, 50/60Hz or 347-480V, 50/60Hz; Less Than 20% THD and PF>0.90. Standard Internal Surge Protection 6kV. 0-10V Dimming Standard for a Dimming Range of 100% to 10%; Dimming Source Current is 150 Microamps.

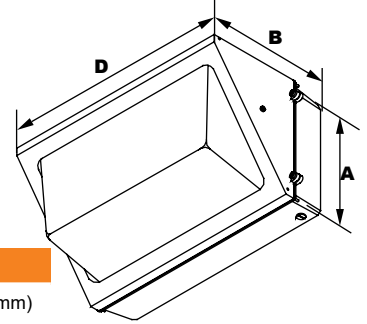
CONTROLS:

Fixtures Ordered with Factory-Installed Photocell or Motion Sensor Controls are Internally Wired for Switching and/or 1-10V Dimming Within the Housing. Remote Direct Wired Interface of 1-10V Dimming is Not Implied and May Not Be Available, Please Consult Factory. Fixtures are Tested with DuraGuard Controls and May Not Function Properly With Controls Supplied By Others. Fixtures are NOT Designed for Use with Line Voltage Dimmers.

WARRANTY:

5-Year Warranty for -40°C to +40°C Environment.

See Page 2 for Projected Lumen Maintenance Table.



Dimensions

Width (D)	18 1/2" (479mm)
Length (B)	9 3/8" (238mm)
Height (A)	9" (229mm)

DuraLED TECHNOLOGY

Complete Units
 Ordering Information
 Example: LWPQF1X58U5KZSP

LWPQ DuraLED Large Wallpack

LWPQ	F							
Model	Optics	Wattage	Driver	CCT	Lens	Color	Options	
LWPQ= DuraLED Large Wallpack	F=Type IV	1X29=29w 1X43=43w 1X58=58w	U=120-277V H=347-480V	4K=4000K 5K=5000K		Z=Bronze C=Custom (Consult Factory)		
(Leave Blank)= Standard Prismatic Glass Lens S=SoftLED Prismatic Glass Lens								
SF=Single Fuse* DF=Double Fuse* SP=Surge Protection PC3=Photocell, 120-277VAC P10=Pencil Photocell, 120VAC P12=Pencil Photocell, 277VAC S2=Microwave Sensor with Dimming for Mounting Heights of 8' to 40'.* S4=Microwave On/Off Motion Sensor for Mounting Heights of 8' to 19'.* BU=Battery Backup, 90 Minutes* BUC=Cold Start Battery Backup, -20°C, 90 Minutes*								

*120-277V Models Only.



DesignLights Consortium™
 Qualified Luminaires:
 LWPQF1X58[U H]5K*



Specifications subject to change without notice.

LWPQ DuraLED Large Wallpack



ACCESSORIES & REPLACEMENT PARTS:



Accessories (Order Separately, Field Installed)	
LWPFCZ	Full Cutoff, Stamped Steel, Bronze Powdercoat Finish
LWPVSZ	Clear UV-Stabilized Polycarbonate Vandal Resistant Guard
LWPWG	Wire Guard, Stainless Steel Construction, Includes Hardware.

Replacement Parts (Order Separately, Field Installed)	
LWPGL	Molded Prismatic Borosilicate Glass Lens with Gasket
LWPGLSS	SoftLED Prismatic Borosilicate Glass Lens.
P18103	120-277VAC Photocell
P18110	110-130V 120VAC Pencil Photocell
P18112	208-277V 240VAC Pencil Photocell
P18114	120-277V, 50/60Hz Pencil Photocell
P17117	Internal Microwave Sensor with Dimming for Mounting Heights of 8 to 40'. 120-277VAC, 50/60Hz
P17123	Internally Mounted Microwave On/Off Motion Sensor for Mounting Heights of 8' to 19', 120-277VAC, 50/60Hz

For Replacement Battery Backup, see the DuraGuard LED Battery Backup Specification Sheet.

*Shown Mounted

PHOTOMETRIC PERFORMANCE

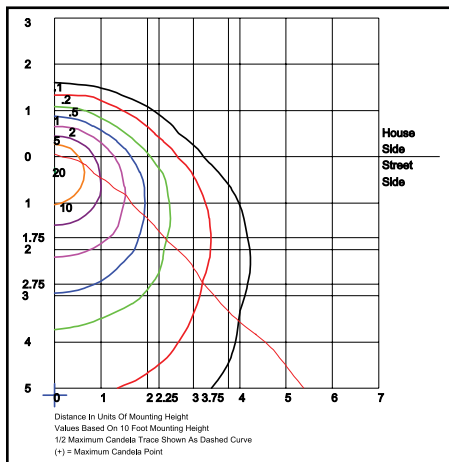
LED Board Watts	Drive Current (mA)	Input Watts	Optics	5000 CCT 80 CRI					4000 CCT 80 CRI				
				Lumens	LPW	B	U	G	Lumens	LPW	B	U	G
DuraLED 29w	116	32	Type IV	4,399	137	1	4	3	4,223	132	1	3	3
DuraLED 43w		47	Type IV	6,598	140	1	4	4	6,334	135	1	4	4
DuraLED 58w		67	Type IV	8,797	132	1	5	5	8,445	126	1	4	5

PROJECTED LUMEN MAINTENANCE

Data shown for 5000 CCT			Compare to MH			
TM-21-11	Input Watts	Initial	25,000 Hrs	50,000 Hrs	100,000 Hrs	Calculated L70@ 25°C
L70 Lumen Maintenance @ 25°C / 77°F	67	1.00	0.95	0.89	0.78	138,000
TM-21-11	Input Watts	Initial	25,000 Hrs	50,000 Hrs	100,000 Hrs	Calculated L70@ 50°C
L70 Lumen Maintenance @ 50°C / 122°F	67	1.00	0.86	0.72	0.43	53,000
TM-21-11	Input Watts	Initial	25,000 Hrs	50,000 Hrs	100,000 Hrs	Calculated L80@ 40°C
L80 Lumen Maintenance @ 40°C / 104°F	67	1.00	0.92	0.84	0.68	62,000

NOTES:
 1. Projected per IESNA TM-21-11. Data references the extrapolated performance projections for the 116mA base model in a 25°C ambient, based on 10,000 hours of LED testing per IESNA LM-80-08.
 2. Compare to MH box indicates suggested Light Loss Factor (LLF) to be used when comparing to Metal Halide (MH) systems.

PHOTOMETRIC DATA



LWPQF1X58U5K
 Type IV
 Grid in MH
 MH=20 Feet