

KH15Q DuraLED Mini Hampton Kitty Hawk Area Light



Project Information	
Project Name:	Fixture Type:
Complete Catalog #:	Date:
Comments:	

The DuraGuard KH15Q luminaire is available in two wattages with a wide choice of mounting configurations and optical distributions designed to replace HID lighting systems from 70w to 175w MH or HPS. Typical area lighting applications include retail centers, industrial parks, schools and universities, office buildings and medical facilities. Mounting heights of 10 to 20 feet can be used based on light level and uniformity requirements.

SPECIFICATIONS AND FEATURES:

HOUSING:

Die Cast Aluminum Housing and Front Frame, Integral Heat Sinking and Driver Compartment. Photocell Adaptable. Nickel-Plated Stainless Steel Hardware.

LISTING & RATINGS:

CSA: Listed for Wet Locations, ANSI/UL 1598, 8750 IP66 Sealed LED Compartment.

FINISH:

Textured Architectural Bronze Powdercoat Finish Over a Chromate Conversion Coating. Custom Colors Available Upon Request.

LENS:

Tempered Clear Flat Glass Lens or Tempered Clear Flat Prismatic Glass Lens.

MOUNTING OPTIONS:

Mounts with Kitty Hawk Arm, Adjustable Slipfitter, 2 3/8" Diameter Mounting Arm Adapter, Yoke, Two-Piece Bracket or Easy Hang Wall Bracket (Factory Installed).

DURALED:

Aluminum Boards

WATTAGE:

22 Watt: Array: 21.7w, System: 23.8w (Up to 100w HID Equivalent.)
37 Watt: Array: 37.2w, System: 43w (Up to 175w HID Equivalent.)

DRIVER:

Electronic Driver, 120-277V, 50/60Hz; 347V, 50/60Hz (37w Model Only); Dimmable Driver

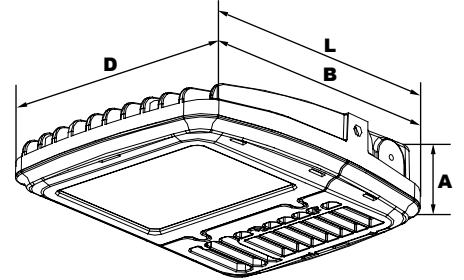
WARRANTY:

5-Year Warranty for -40°C to +50°C Environment.

See Page 3 for Projected Lumen Maintenance Table.



Shown with "KH25A" Kitty Hawk Arm Mounting Option.



Dimensions

Width (D)	9 1/2" (240mm)
Length (B)	11 3/4" (299mm)
Height (A)	3 5/8" (92mm)

Length with Mount (L)

- Kitty Hawk Arm (KH25A):** 24 1/4" (617mm)
- Slipfitter (SSF):** 15 1/2" (394mm)
- Mounting Arm Adaptor (ALMAA):** 16" (404mm)
- Yoke (KH15Y):** 14 3/4" (375mm)
- Bracket (SSB):** 15 1/2" (394mm)
- Easy-Hang Wall Bracket (KHEH):** 12 3/4" (324mm)

DuraLED TECHNOLOGY

Complete Units
Ordering Information
Example: KH15QF1X22U5KCZKH25ASP

KH15Q DuraLED Mini Hampton Kitty Hawk Area Light

KH15Q

Model	Optics	Wattage	Driver	CCT	Lens	Color	Mounting	Options
KH15Q= DuraLED Mini Hampton Kitty Hawk Area Light	C =Type III F =Type V I =Narrow Beam	1X22 =22w 1X37 =37w	U =120-277V C =347V* *37w Model Only.	3K =3000K* 4K =4000K 5K =5000K *Use with 37w F Optic Only	C =Clear Flat Glass Lens P =Clear Flat Prismatic Glass Lens* *Use with F Optic Only	Z =Bronze C =Custom (Consult Factory)	KH25A =Kitty Hawk Arm SSF = Slipfitter ALMAA = Mounting Arm Adapter KH15Y =Yoke SSB =Two-Piece Swivel Bracket KHEH =Easy-Hang Wall Bracket NM =No Mount	

- SF**=Single Fuse
- DF**=Double Fuse
- SP**=Surge Protection
- M1**=Motion Sensor, IR for mounting heights of 20ft to 35ft
- M2**=Motion Sensor, IR for mounting heights of 18ft or less
- PC1**=Photocell, 120VAC
- PC2**=Photocell, 250-305VAC
- P10**=Pencil Photocell, 120VAC
- P12**=Pencil Photocell, 277VAC



DesignLights Consortium™
Qualified Luminaires:
KH15QC1X22U5KC*
KH15QC1X37U5KC*
KH15QF1X22U5KC*
KH15QF1X37U5KC*



Specifications subject to change without notice.

KH15Q DuraLED Mini Hampton Kitty Hawk Area Light



ADDITIONAL MOUNTING OPTIONS



KH15Q Shown with "KH25A" Kitty Hawk Mounting Arm, Kitty Hawk Die-Cast Mounting Arm, Bronze Powdercoat Finish, Includes Hardware. Mounts Directly to Square Poles.



KH15Q Shown with "ALMAA" Pole Mounting Arm Adaptor, Die-Cast Adaptor for 2 3/4" Horizontal Mounting Arms, Bronze Powdercoat Finish, Includes Hardware.



KH15Q Shown with "KH15Y" Yoke, Stamped Heavy-Duty Steel Yoke, Bronze Powdercoat Finish, Includes Hardware.



KH15Q Shown with "SSF" External Mount Slipfitter, External Mount Die-Cast Adjustable Slipfitter for 2 3/4" Tenons, Bronze Powdercoat Finish, Includes Hardware.






KH15Q Shown with "SSB" Two-Piece Swivel Bracket, Two-Piece Stamped Steel Adjustable Bracket, Bronze Powdercoat Finish, Includes Hardware.






KH15Q Shown with "KHEH" Easy-Hang Wall Bracket, Die-Cast Easy-Hang Wall Bracket, Bronze Powdercoat Finish, Includes Hardware.

EPA (EFFECTIVE PROJECTED AREA) SHOWN WITH SLIPFITTER MOUNTING

Configuration	EPA (Sq. Ft.)	Weight (Lbs.)
 1	0.35	11 Lbs

Configuration	EPA (Sq. Ft.)	Weight (Lbs.)
 2@180° Mount	0.70	22 Lbs
 2@90° Mount	0.48	22 Lbs

Configuration	EPA (Sq. Ft.)	Weight (Lbs.)
 3@90° Mount	0.77	33 Lbs
 3@120° Mount	0.70	33 Lbs

Configuration	EPA (Sq. Ft.)	Weight (Lbs.)
 4@90° Mount	0.77	44 Lbs



Mounting Accessories (Order separately, Field installed)	
KH20RPZ	Die-Cast Adaptor for 3" to 4" Round Poles, Bronze Powdercoat Finish. Use with Kitty Hawk Mounting Arm only.
KH20WMZ	Die-Cast Wall Mount Adaptor, Bronze Powdercoat Finish. Use with KH25A Kitty Hawk Mounting Arm only.
PTSB1SZ	Single Pole Tenon Spoke Bracket, 2 3/4" Horizontal Mounting Arm, Bronze Powdercoat Finish, Includes Hardware.
PTSB290SZ	Twin Pole Tenon Spoke Bracket, 2 3/4" Horizontal 90° Mounting Arms, Bronze Powdercoat Finish, Includes Hardware.
PTSB2180SZ	Twin Pole Tenon Spoke Bracket, 2 3/4" Horizontal 180° Mounting Arms, Bronze Powdercoat Finish, Includes Hardware.
PTSB390SZ*	Triple Pole Tenon Spoke Bracket, 2 3/4" Horizontal 90° Mounting Arms, Bronze Powdercoat Finish, Includes Hardware.
PTSB3120SZ*	Triple Pole Tenon Spoke Bracket, 2 3/4" Horizontal 120° Mounting Arms, Bronze Powdercoat Finish, Includes Hardware.
PTSB490SZ*	Quad Pole Tenon Spoke Bracket, 2 3/4" Horizontal 90° Mounting Arms, Bronze Powdercoat Finish, Includes Hardware.

*Special order item. Lead time three weeks.

Accessories (Order separately, Field installed)	
ACCHSG1Z	Die Cast Accessory Housing for Installing Sensors or Other Lighting Control, Bronze Powdercoat Finish.
KH15GSZ	Aluminum House Side Shield, Bronze Powdercoat Finish, Includes Hardware.

Replacement Parts (Order separately, Field installed)	
KH15GL	Tempered Clear Flat Glass Lens.
KH15GLP	Tempered Prismatic Flat Glass Lens.
KH25AZ	Kitty Hawk Die-Cast Mounting Arm, Bronze Powdercoat Finish, Includes Hardware. Mounts Directly to Square Poles.
SSFZ	External Mount Die-Cast Adjustable Slipfitter for 2 3/4" Tenons, Bronze Powdercoat Finish, Includes Hardware.
ALMAAZ	Die-Cast Adaptor for 2 3/4" Horizontal Mounting Arms, Bronze Powdercoat Finish, Includes Hardware.
KH15YZ	Stamped Heavy-Duty Steel Yoke, Bronze Powdercoat Finish, Includes Hardware.
SSBZ	Two-Piece Stamped Steel Adjustable Bracket, Bronze Powdercoat Finish, Includes Hardware.
KHEHZ	Die-Cast Easy-Hang Wall Bracket, Bronze Powdercoat Finish, Includes Hardware.
PC1	120VAC Photocell
PC2	250-305VAC Photocell
P18110	110-130V 120VAC Pencil Photocell
P18112	208-277V 240VAC Pencil Photocell

Specifications subject to change without notice.

KH15Q DuraLED Mini Hampton Kitty Hawk Area Light



PHOTOMETRIC PERFORMANCE

LED Board Watts	Drive Current (mA)	Input Watts	Optics	5000 CCT 80 CRI					4000 CCT 80 CRI				
				Lumens	LPW	B	U	G	Lumens	LPW	B	U	G
DuraLED 22w	525	24	Type III	2,875	116	1	0	1	2,681	108	1	0	1
			Type V	2,742	111	1	0	0	2,557	103	1	0	0
DuraLED 37w	525	43	Type III	4,834	118	1	0	1	4,508	110	1	0	1
			Type V	4,611	113	2	0	0	4,300	105	2	0	0

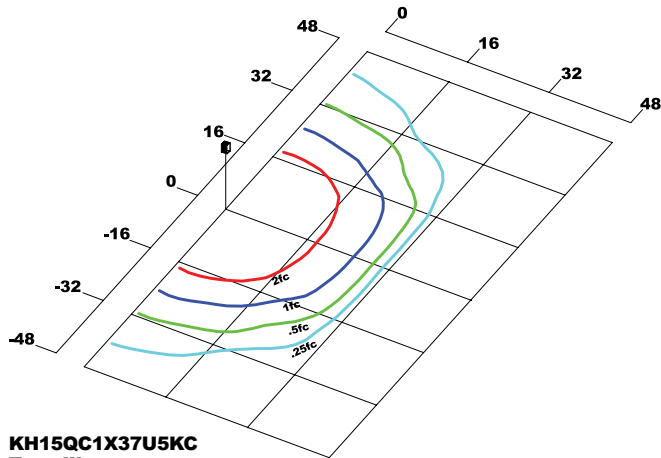
PROJECTED LUMEN MAINTENANCE

Data shown for 5000 CCT			Compare to MH				
TM-21-11	Input Watts	Initial	25,000 Hrs	50,000 Hrs	100,000 Hrs	Calculated L70@ 25°C	
L70 Lumen Maintenance @ 25°C / 77°F	24	1.00	0.98	0.97	0.93	429,000	
L70 Lumen Maintenance @ 25°C / 77°F	43	1.00	0.98	0.95	0.91	320,000	
TM-21-11	Input Watts	Initial	25,000 Hrs	50,000 Hrs	100,000 Hrs	Calculated L70@ 50°C	
L70 Lumen Maintenance @ 50°C / 122°F	24	1.00	0.97	0.94	0.88	259,000	
L70 Lumen Maintenance @ 50°C / 122°F	43	1.00	0.95	0.89	0.79	141,000	
TM-21-11	Input Watts	Initial	25,000 Hrs	50,000 Hrs	100,000 Hrs	Calculated L80@ 40°C	
L80 Lumen Maintenance @ 40°C / 104°F	24	1.00	0.97	0.95	0.90	195,000	
L80 Lumen Maintenance @ 40°C / 104°F	43	1.00	0.96	0.93	0.85	134,000	

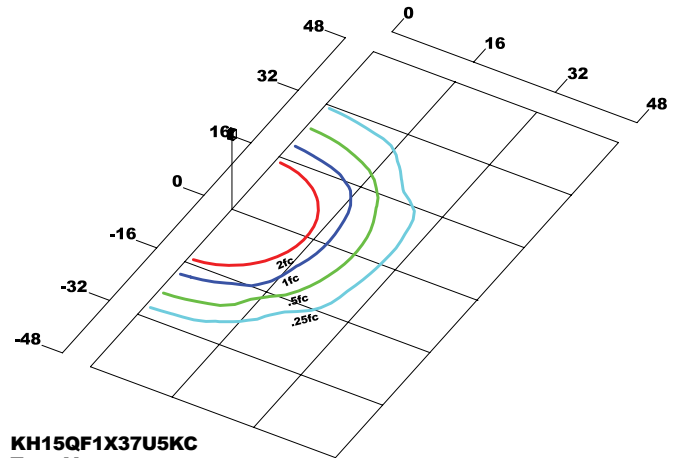
NOTES:

1. Projected per IESNA TM-21-11. Data references the extrapolated performance projections for the 525mA base model in a 25°C ambient, based on 10,000 hours of LED testing per IESNA LM-80-08.
2. Compare to MH box indicates suggested Light Loss Factor (LLF) to be used when comparing to Metal Halide (MH) systems.

PHOTOMETRIC DATA



KH15QC1X37U5KC
Type III
 Grid in MH
 MH=16 Feet



KH15QF1X37U5KC
Type V
 Grid in MH
 MH=16 Feet